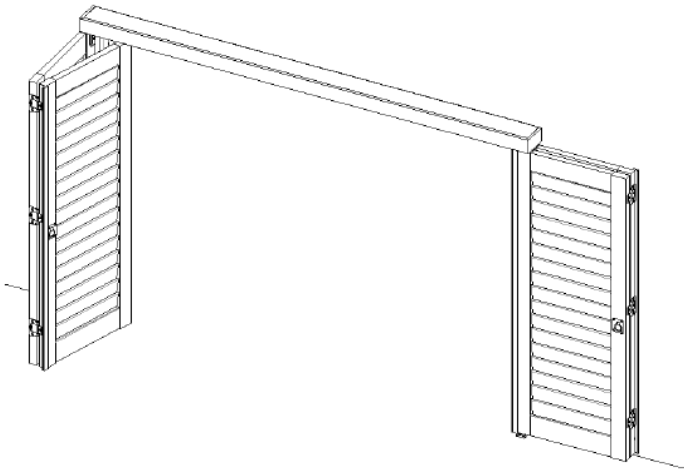


Bi-fold 180™

Installation Instructions



NORMAN®

Tools

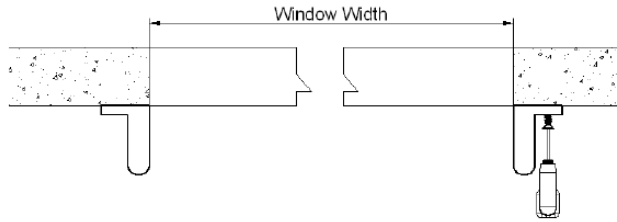


Included Hardware

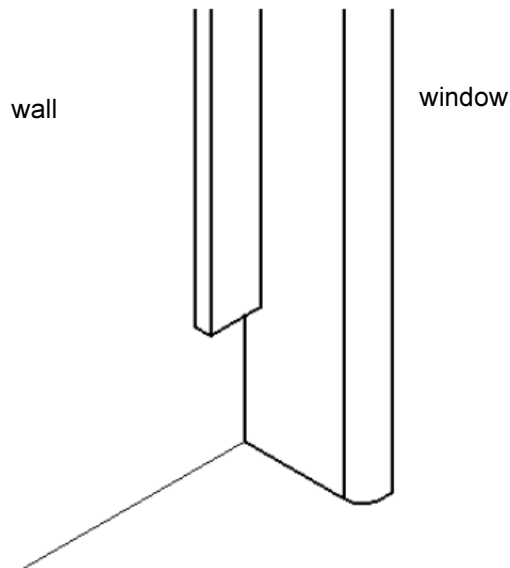
Hardware	Quantity
Wrench	2
Hinge Pin	Corresponds to number of panels
Bottom Pivot L Bracket	1 per Bi-fold panel pair
Bottom Pivot L Bracket Screws	3 for bottom bracket

Step 1: Install the light block

The light blocks should be installed on both the right edge and left edge of the window opening. Begin by securing the light block at the top, both on the left and the right.

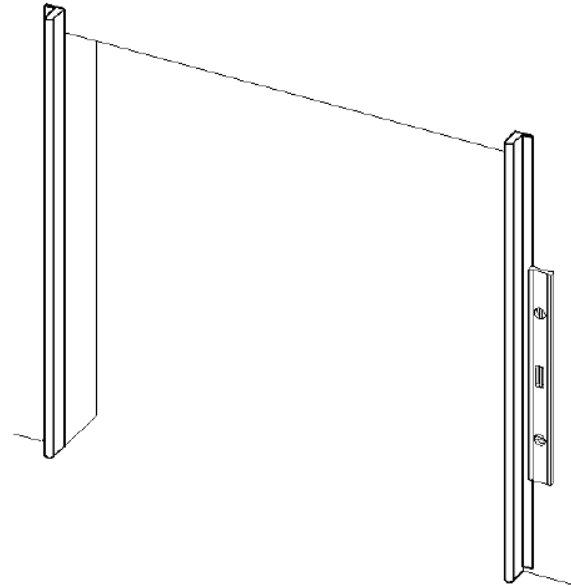


Also, note that the notched out section of the light blocks are at the bottom, and that they are facing outward.

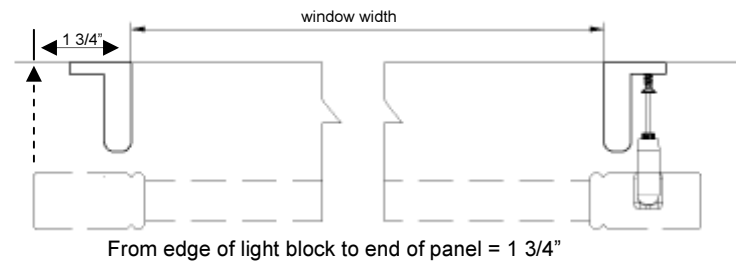


Take note that the light block runs all the way to the floor. Therefore, please remove obstructions such as baseboard sections or moldings that would prevent the light block from mounting straight onto the wall and the floor.

Ensure the light block is running straight vertically along the wall. If the window is not "square", then use a level to make sure the light block is aligned vertically along the window.

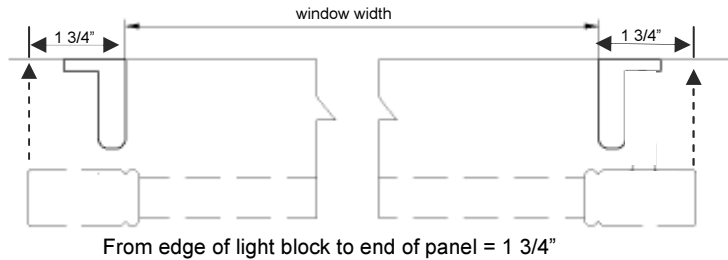


Secure the light blocks to the wall with the provided screws as shown below

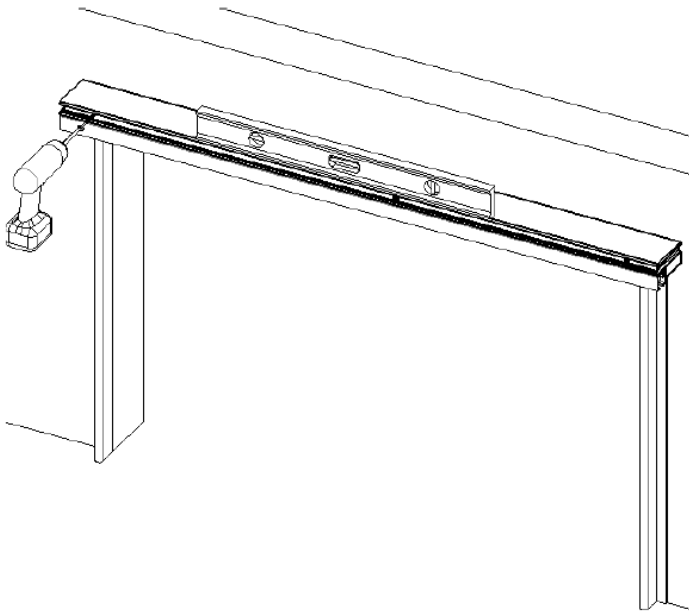


Step 2: Install Header

To position the header, measure 1 3/4" from the window edge on each side and make a mark.

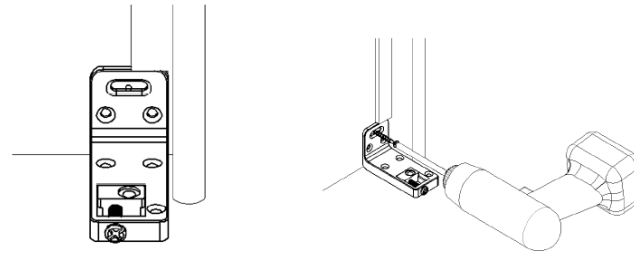


Position the header on top of the light block and between the marks. Use a level to ensure the header sits straight horizontally. Once the header is positioned correctly, secure with screws into the pre-drilled holes of the notch of the header as shown below.



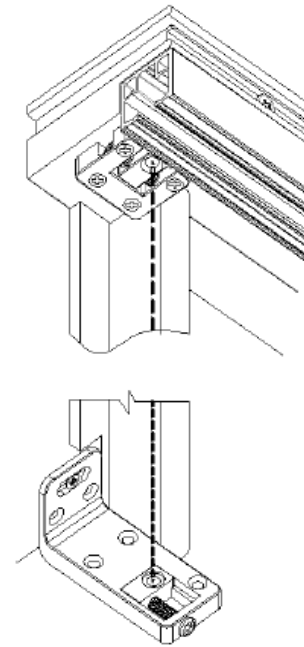
Step 3: Install Bottom Pivot L Bracket

Position the Bottom Pivot L Bracket into the notched out area of the light block as shown below. Make sure the notched out area is flush with the bracket. Use a M3.8X38mm screw to secure the bracket through the top hole. You may need to adjust the bracket in the next steps, so only secure the top screw at this time.



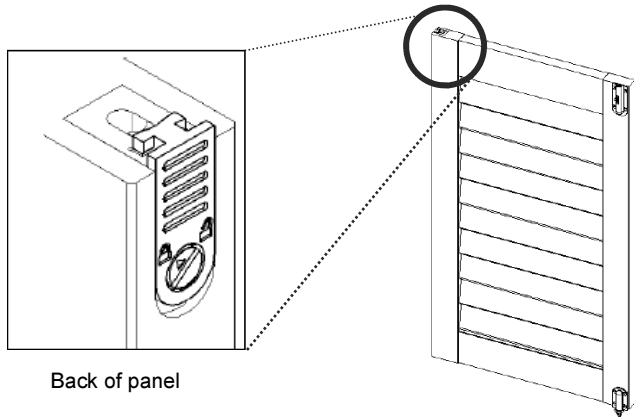
Step 4: Match up the brackets

Make sure the center hole of the top bracket matches the center hole of the bottom bracket. This will ensure the header and the light blocks are correctly positioned.

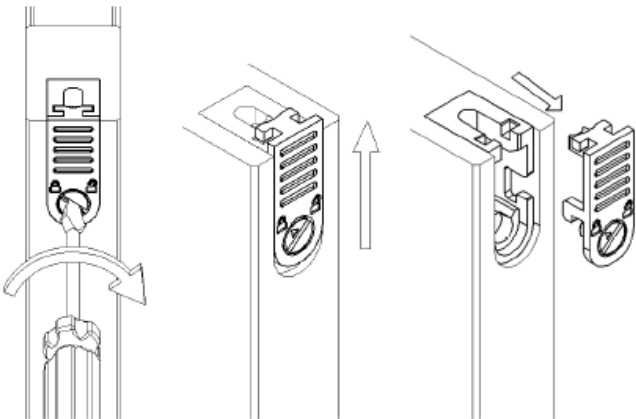


Step 5: Remove panel hanger cap

First, locate the panel hanger at the top of the panel

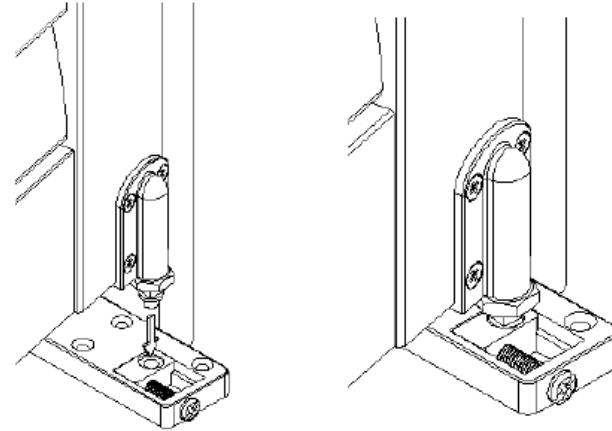


Remove the cap on the panel hanger. To remove, loosen the button screw of the cap. Then lift the cap up, and gently pull outward as shown. Put the cap aside.

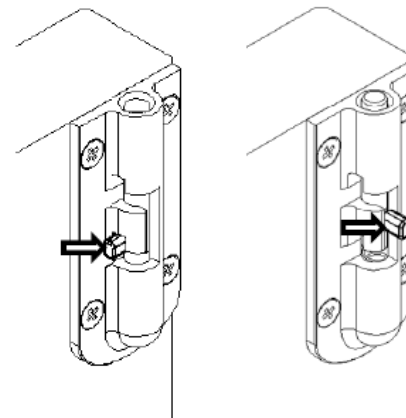


Step 6: Install Panel into Pivot Brackets

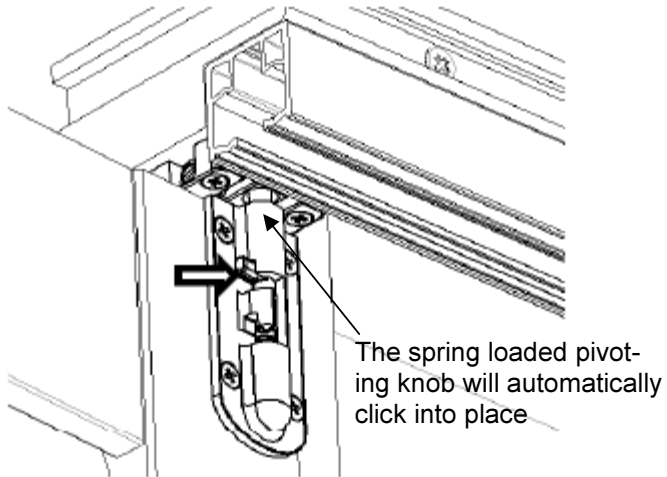
Install the panel into the Bottom Pivot L Bracket. Look for the dedicated groove on the bottom pivot bracket. Insert the pivoting knob at the bottom of the panel into the groove of the bottom pivot bracket.



To install the top pivot, first disengage the pin to the middle position.

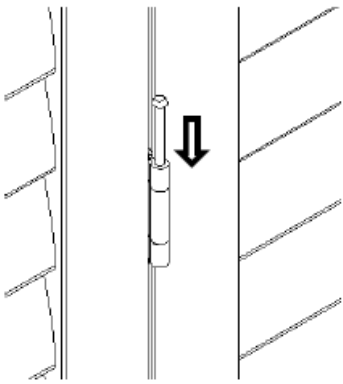


Match up the pivoting knob to the hole of the top bracket. Then disengage the pin from the middle position to the top position as shown. The pivoting knob will then automatically click into place.



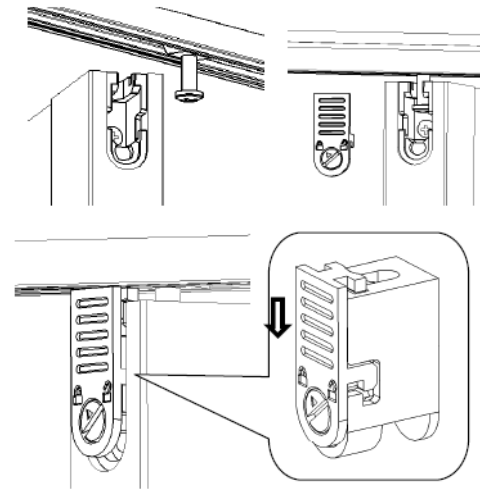
Step 7: Attach panels with hinge pin

Insert the hinge pin into the barrel of the hinge to connect the panels according to the panel numbers from left to right.

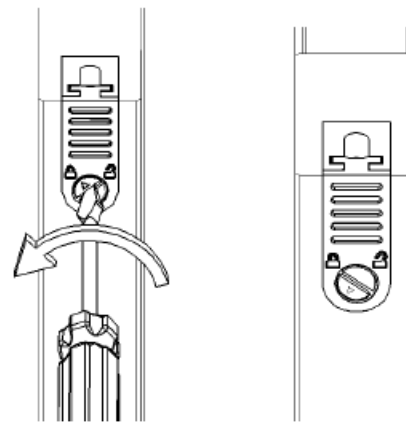


Step 8: Connect the wheel carrier to the panel carrier

Seat the wheel carrier into the panel hanger. Then insert the cap. Slide the cap downwards.

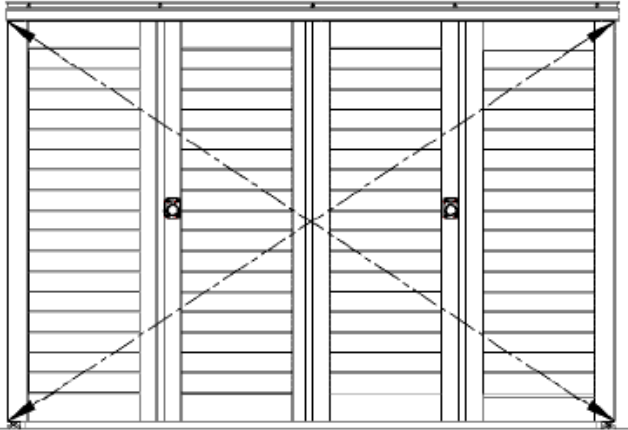


When the screw cap is fit into place, secure it by turning the dial to lock.



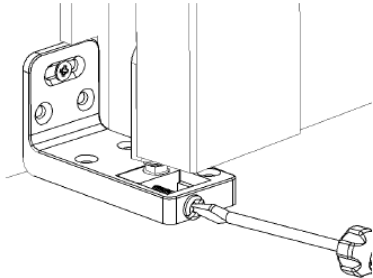
Step 9: Make adjustments

First, check for squareness. Measure both diagonals of the installed panels. If both diagonals are equal, the setup is square. If not, you can make adjustments.

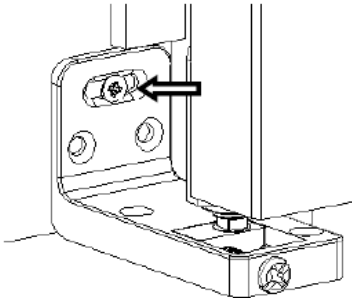


For the Bottom Pivot L Bracket, you can adjust left or right, as well as in or out. Tighten or loosen the screws as pictured

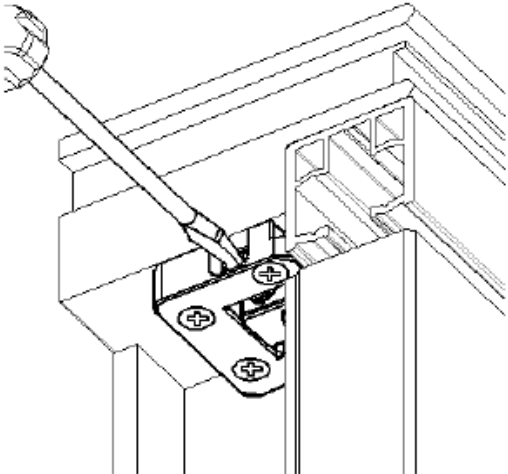
Adjust in or out by tightening or loosening the bottom screw



Adjust left or right by adjusting the top screw

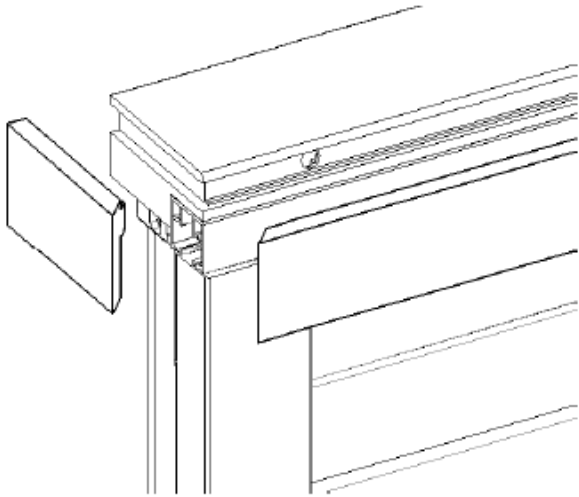


If the top needs to be adjusted left or right, use a screwdriver to tighten or loosen the screw on the top bracket as pictured

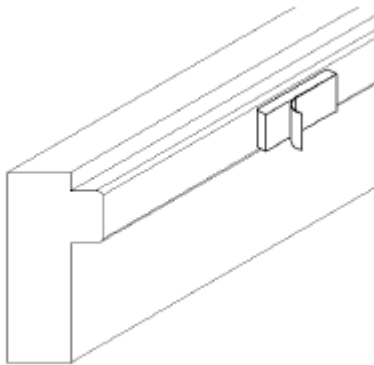


Step 10: Install the fascia

Insert the fascia as pictured by fitting the lip on the back of the fascia into the groove of the header.

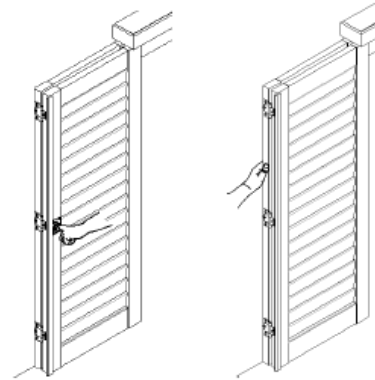


On wood fascias, take off the sticker backing of the styrofoam tape on the back of the fascia. Position the fascia along the header groove evenly and press inward to secure.

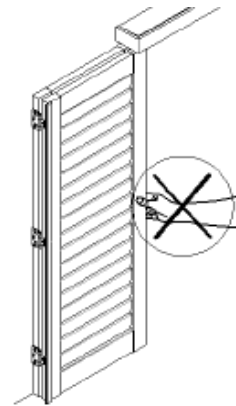


Step 11: Daily operation

When sliding the panels inward from a stacked position, make sure you grab hold of either the panel pull (available as an option), or the outer edge of the panel facing the wall. Gently swing the panels outward to close.



Do not pull the panel facing you to close. Bi-fold 180™ is not designed to move this way.



NORMAN®

Copyright © Norman Window Fashions 2014. All rights reserved