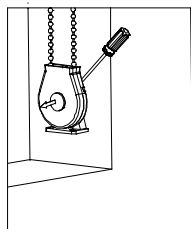


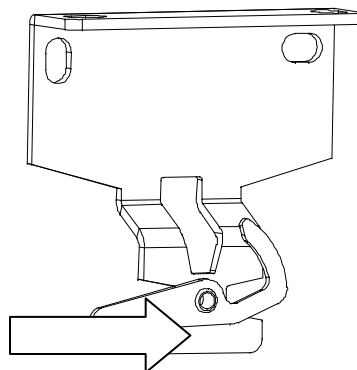
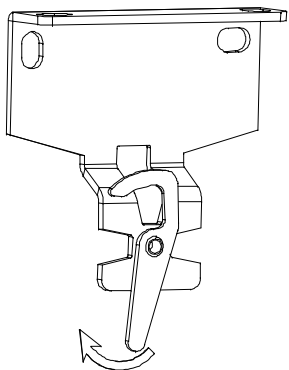
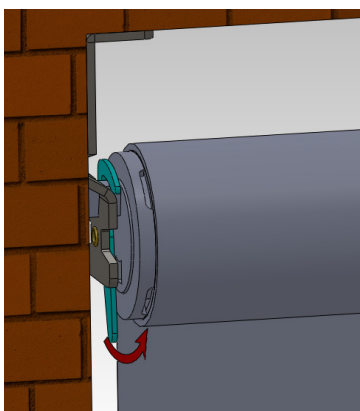
Instructions for Replacing Roller Shade Clutch

1. Use a flat head screw driver to detach the tension device from the base.

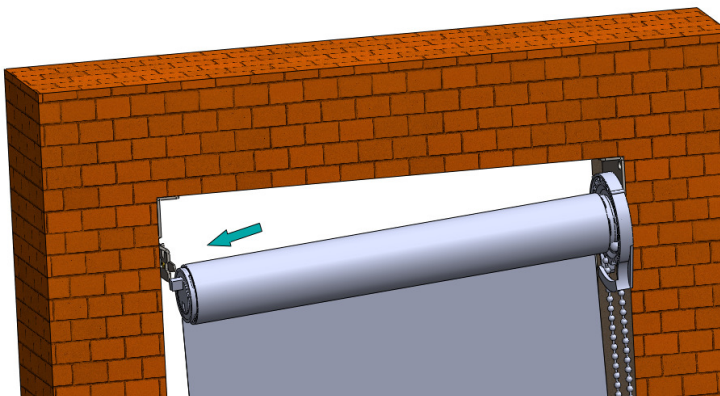
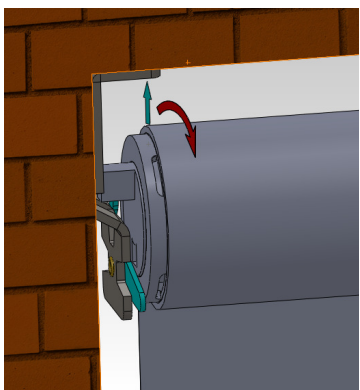


2. Remove the shade by following the steps.

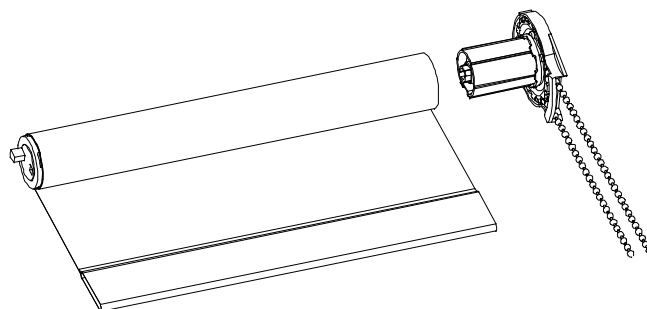
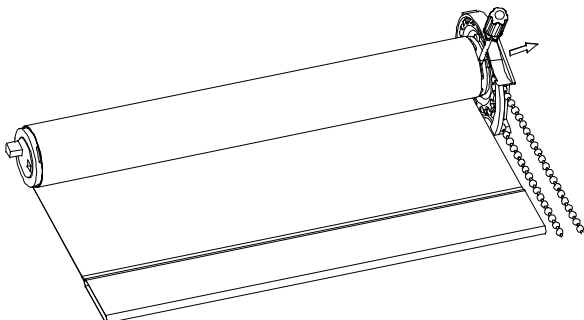
a. Unlock the shade from the End Plug bracket.



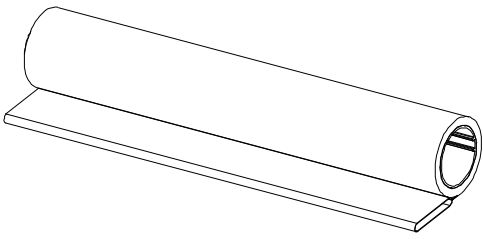
b. Lift the shade upward and gently remove the shade from the window.



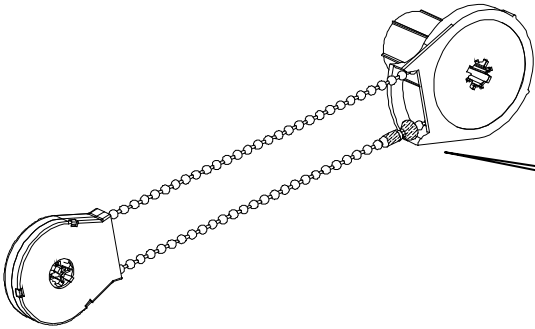
3. Using your screwdriver, detach the clutch head from the shade.



4. Roll up the shade fabric.

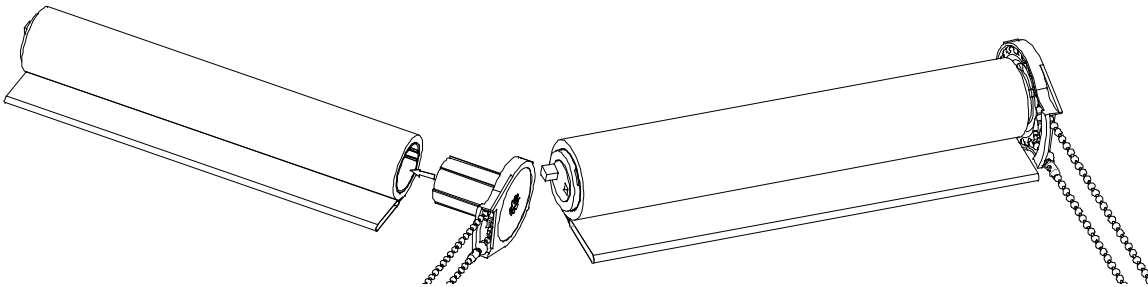


5. Take out the new clutch and adjust the bead chain so that the connector is at the top position.



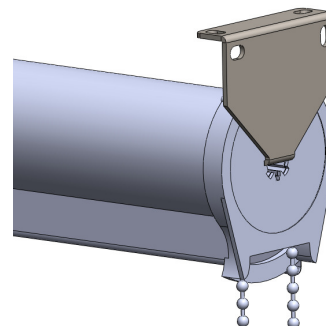
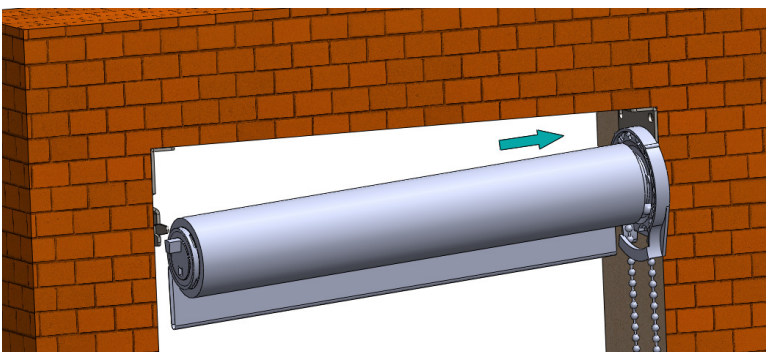
Tip: Make sure the chain connector is at the top position.

6. Insert the new clutch into the roller shade tube.

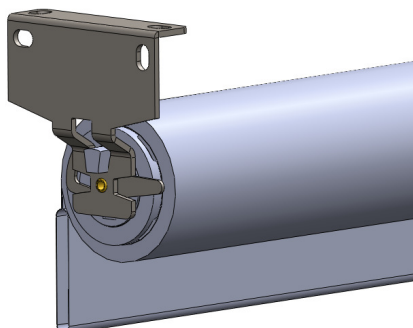
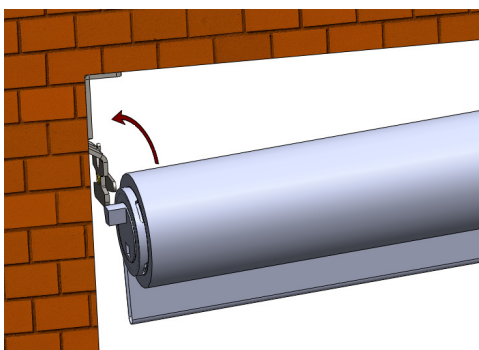


7. Reinstall the shade.

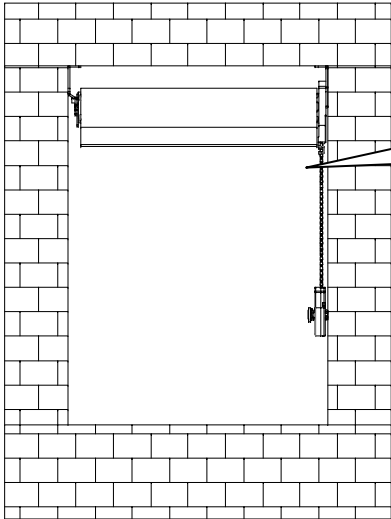
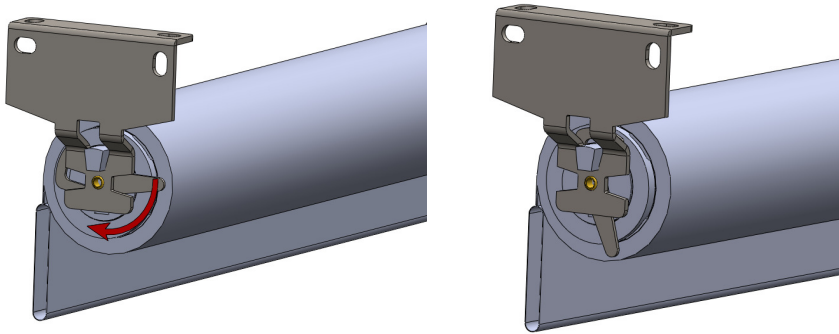
a. At an angle, first install the clutch end to the blade of the bracket.



b. Next, install the lug end into the "V" of the End Plug Bracket.

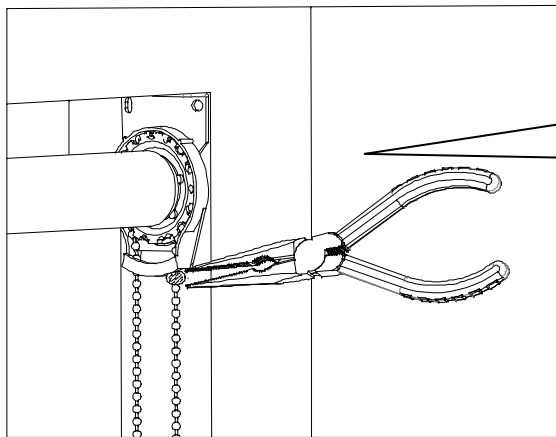


7.3 Lock the Plug end securely.



Tip: Do not operate the shade during installation.

8. Attach cord stopper.



Use needle-nose pliers to attach the cord stopper.



Cord Stopper

9. Finally, snap the safety tension device into its base.