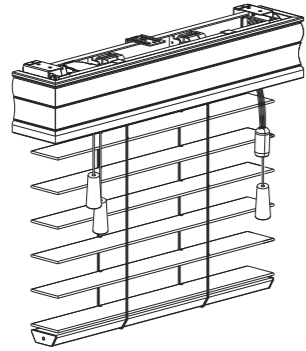


Installation & Maintenance Instructions



Smart Privacy

Getting Started

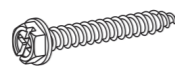


Remove the blind from the package. Be sure to keep the packaging until the blind operates to your satisfaction. Please take a moment to review the following installation guide for proper installation.

Recommended Tools

- Measuring Tape
- Pencil
- Level
- Screwdriver
- Power drill (1/4" hex driver and drill bit)

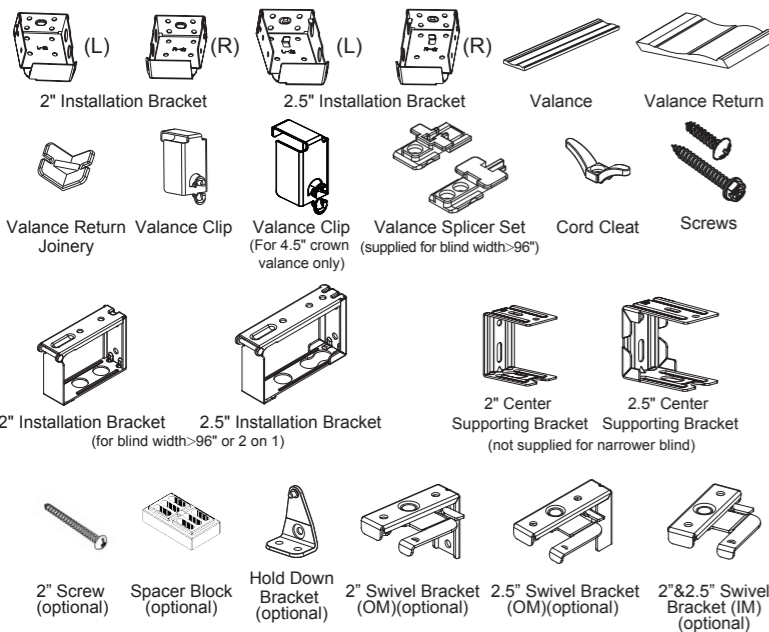


You will need to use the following fasteners for your particular mounting surfaces:

Mounting Surface	Fastener
Wood	1 1/4" Hexagonal Head Screw (Provided) 
Drywall/Plaster	Wall Anchors, Expansion Bolts (Not Provided) 
Metal	Sheet Metal Screws (Not Provided) 

Check Hardware

Check your package for contents needed for proper installation.



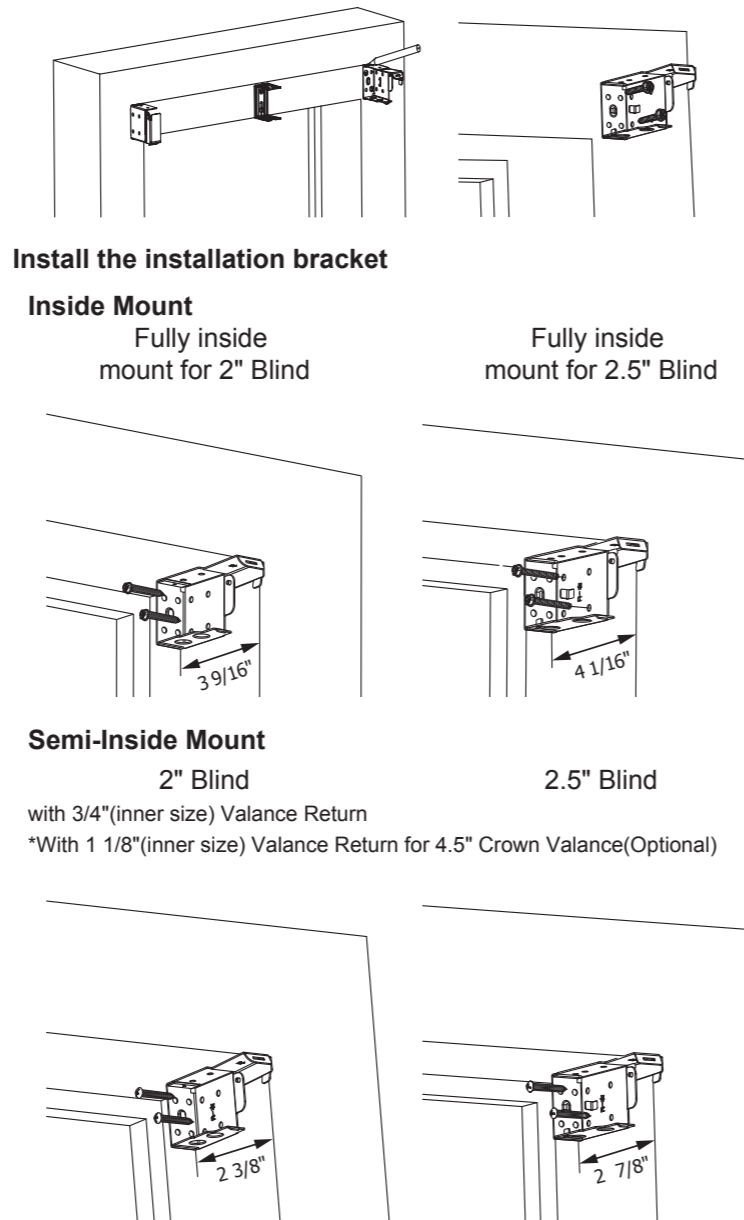
Hardware Quantity Standard

Blind Width(X)	X≤36 1/2"	36 1/2" < X≤54"	54" < X≤78"	78" < X≤96"	96" < X≤120"
Installation Bracket	2	2	2	2	2
Center Supporting Bracket	0	1	2	3	4
Installation Bracket (for blind width >96" or 2 on 1)	0	1	2	3	4
Valance Clip	2	3	4	4	5
Valance Return Joinery*	4	4	4	4	4
Valance Splicer Set	0	0	0	0	2
1 1/4" Screw for Installation Bracket	4	6	8	10	12
3/4" Screw for Hold Down Bracket/Cord Cleat	Hold Down Bracket Qty*2+Cord Cleat Qty				
2" Screw for Installation Bracket with spacer	4	6	8	10	12
Hold Down Bracket (Optional)	2	2	2	2	2
Spacer Block (Optional)	1pcs for extend distance 10mm, 2pcs for extend distance 18mm				
Swivel Bracket (Optional)	2	3	4	5	6

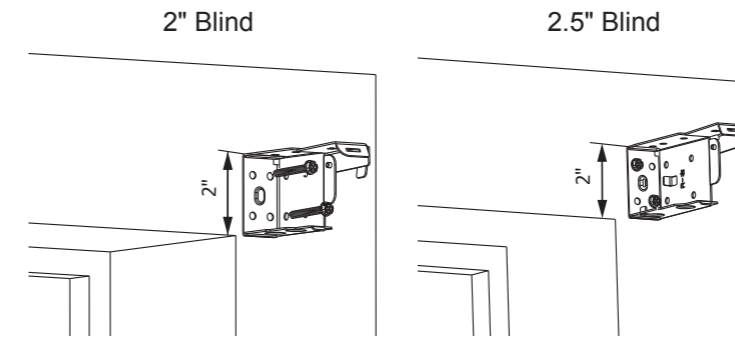
Optional hardware parts, such as swivel bracket, spacers and hold down brackets are available upon request. The above hardwares are for single blind and 2 on 1 blind. *Valance Return Joinery is provided only when returns are required.

Step 1. Install Brackets

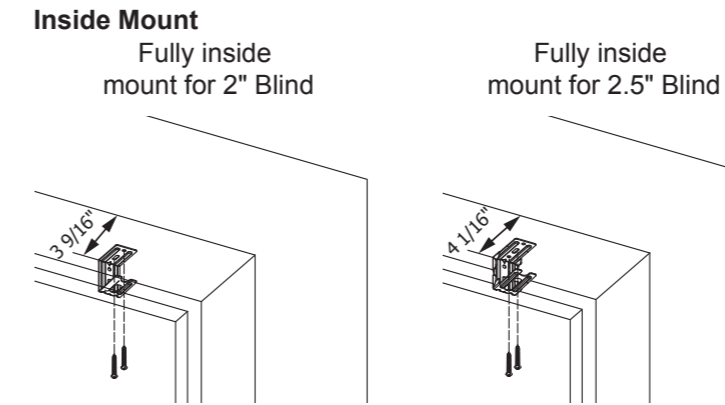
Place the installation brackets at the desired position. Use a level to ensure all brackets are in alignment. Drill 2 screws through the back of each installation bracket to attach. If your blind comes with center support(s), make sure they are offset from the ladder cords.



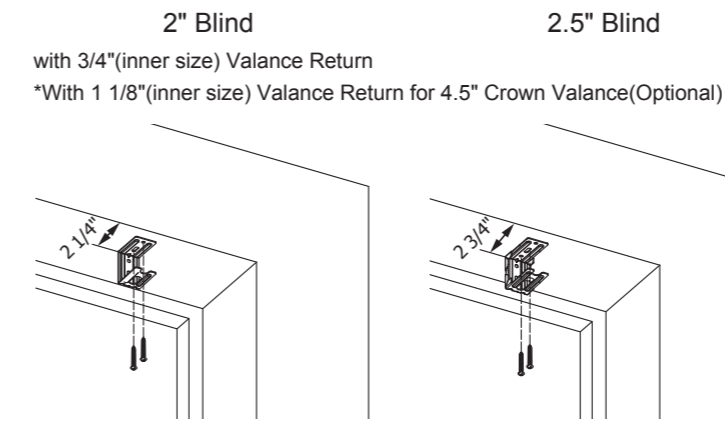
Outside Mount



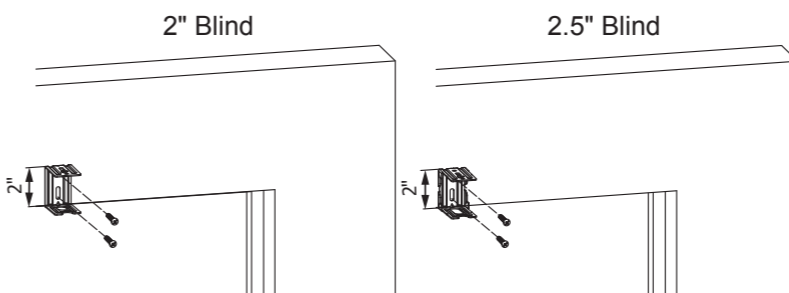
Install the center supporting bracket (if supplied)



Semi-Inside Mount



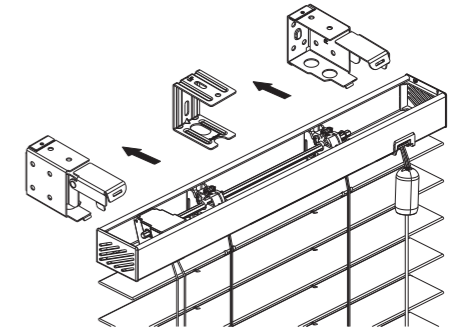
Outside Mount



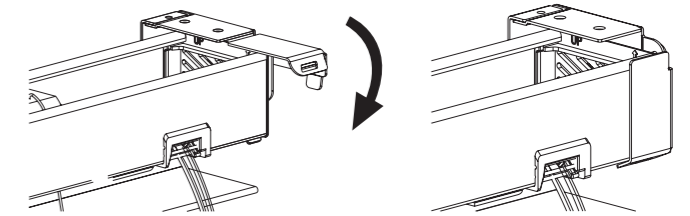
▲ Make sure the center supporting brackets are not in an obstructive position with Drum Support/Tilter inside the headrail. The center supporting bracket should be installed on the center of the window frame if 1pcs is provided and space evenly if 2pcs or more provided.

Step 2. Install the Headrail

- Open the hinged door of the installation brackets and insert the headrail into the end brackets (and supporting brackets if supplied).

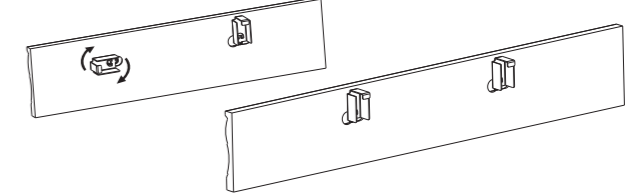


- Close the hinged door of the installation brackets.

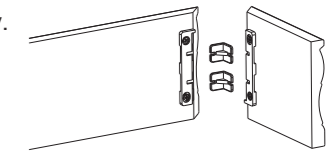


Step 3. Attach & Remove the Valance

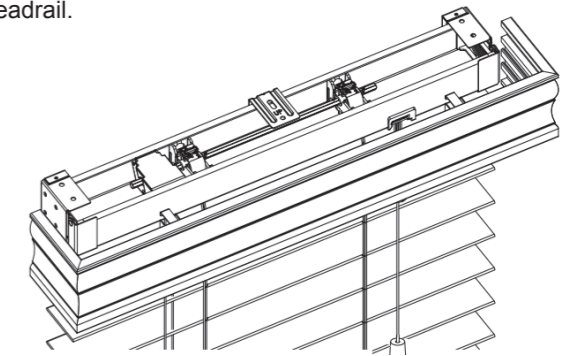
- Attach the steel valance clip into the channel on the backside of the valance.



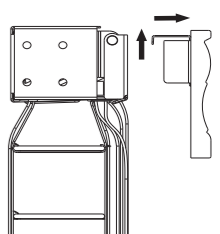
- Attach the valance return joinery.



- Hook the steel valance clips onto the headrail. Make sure clips are not in an obstructive position with the drum support inside the headrail.



- When removing the valance from headrail, hold the valance as shown in the picture and lift it up.



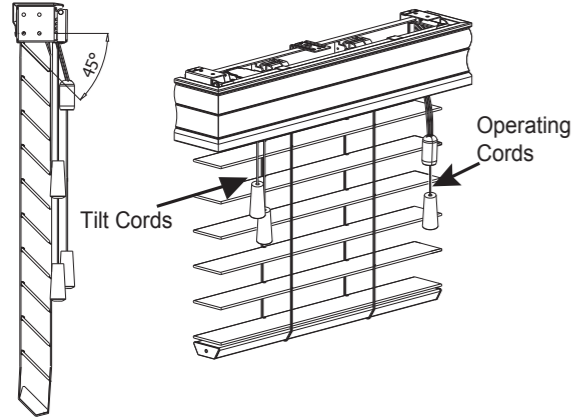
Operate Your Blind

Tilt Cords

- Each cord with individual tassel, when pulled, will tilt the slats in alternate directions.

Operating Cords

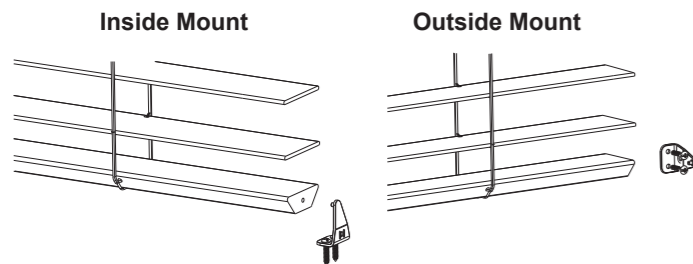
- Pull the cord to raise and lower the blind. The slats need to be open when lowering the blind. **When raising the blind, we recommend that you gently tilt the slats toward you before raising the blind.** The proper way to raise the blind is to support bottom rail with your hand while pulling on the cords. Pull the cord toward the outside of the blind to lock the position. Pull toward the center to release the blind from the locked position. **There are 2 easy ways for you to line up the SmartPrivacy™ slats.**
1. Fully raise the blind and tap on both ends until slats are lined up.
OR
2. Raise and lower the blind several times and the blind will self-align.



Additional Attachments

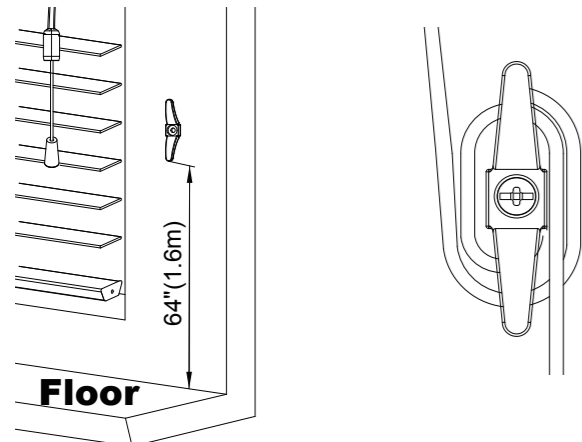
Hold down brackets

- Attach the hold-down brackets against a flat surface, horizontally or vertically, parallel to the bottom rail. Make sure the protruding area is aligned with the hole on the side of the bottom rail. Secure the hold-down bracket into the bottom rail on both sides to keep blinds in desired location.



Cord Cleat

- Install the cord cleat on the wall. Wrap the operating cords around the cord cleat for child safety. Always use the cord cleat to keep cords out of the reach of children. The cleat should be installed more than 64" (1.6 m) from the floor.



! WARNING



Young children can **STRANGLE** in cord and bead chain loops. They can also wrap cords around their necks and **STRANGLE**.

- Always keep cords out of children's reach.
- Move cribs, playpens, and other furniture away from cords and bead chains. Children can climb furniture to get to cords.
- Always wrap the cords around the cleats in a figure eight, up high, out of reach of children.

! MISE EN GARDE



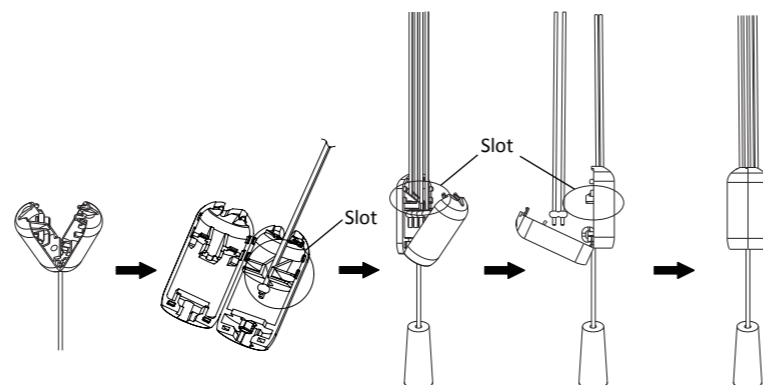
Un jeune enfant peut s'**ÉTRANGLER** avec la boucle d'un cordon ou d'une chaînette. Il peut aussi enrouler le cordon autour de son cou et s'**ÉTRANGLER**.

- Gardez toujours les cordons hors de portée des enfants.
- Éloignez les lits et parcs de bébé, ainsi que toute autre pièce de mobilier, des cordons et des chaînettes. Un enfant peut grimper sur un meuble pour atteindre les cordons.
- Enroulez toujours les cordons en noeud en huit autour du taquet de cordon, placé haut et hors de portée des enfants.

How to Reassemble Cord Release Device

Our blind comes equipped with a cord release device that prevents child strangulation. Should the cord release device come apart, please refer to below steps:

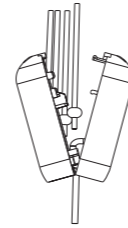
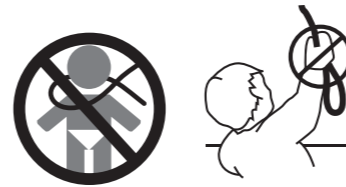
- Open cord release device entirely.
- Align all operating cords and slide them into the slot of cord release device.
- Snap cord release device together to close.



CHILD SAFETY

Cord Release Device

This device breaks apart when minimal pressure is exerted onto the cords. It also acts as a stopper to prevent the inner cords from being pulled into a loop, which can cause harm to young children. To assemble, slide the knot of each operating cords into the slot of the cord release device, then snap the opposing side into place.



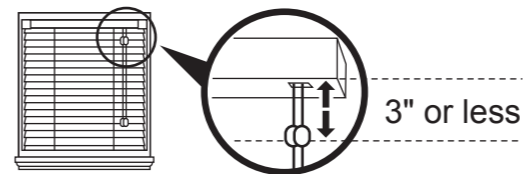
! WARNING

Young children can be entangled and strangled in cords. Keep all cords out of children's reach. Cord cleat is provided and should be used.

Cleaning Instructions

Perform periodic simple cleaning of your blind will keep your blind looking its best for the years to come. There are two ways to clean. You can dust it with a duster or dusting mitten, or simply use a soft cloth slightly moisten with lukewarm water to wipe down the slats. You can clean it with the blind hanging on the window, or you can take it down completely. By tilting the slats down but not fully closed, you will be able to clean most of the top surface of each slat. **Do not use detergent or abrasive cleaning solutions to clean the blind since it will likely cause damage to the blind.**

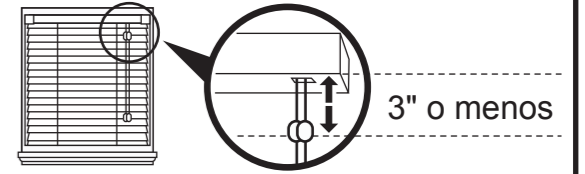
! WARNING



Inner cords can pull out to form a loop, which can strangle a young child.

- Inner cord stop devices can reduce this risk if positioned correctly on the operating cords.
- If inner cord stop devices are more than 3" (76 mm) below the headrail when the blind is fully lowered, move them closer by following the inner cord stop device adjustment instructions.

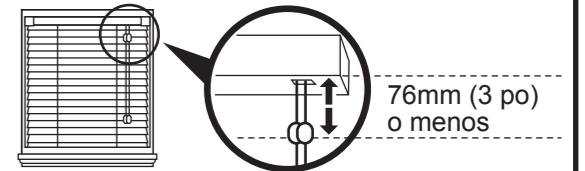
! ADVERTENCIA



Las cuerdas internas pueden sacarse para formar un lazo en que puede **ESTRANGULARSE** un niño pequeño.

- Los dispositivos de paro de la cuerda interna pueden disminuir este riesgo si están situados correctamente en el halado de las cuerdas.
- Si los dispositivos de paro de cuerda interna son más de 3 pulgadas (76 mm) por debajo del riel superior cuando está bajada o completamente la persiana, muévalos siguiendo las instrucciones del ajuste de paro de cuerda interna.

! MISE EN GARDE



Les cordons intérieurs peuvent sortir pour former une boucle et **ÉTRANGLER** un jeune enfant.

- Les dispositifs d'arrêt des cordons intérieurs peuvent diminuer ce risque s'ils sont placés correctement sur les cordons.
- Si les dispositifs d'arrêt des cordons sont situés à plus de 76 mm (3 po) en store est complètement baissé, rapprochez-les en suivant les instructions de réglage du dispositif d'arrêt du cordon intérieur.