

# The Norman® Blind Collection

*Redefining Expectations*



# The Norman® Blind Collection

## Table of Contents

### Performance Faux Wood™ Blinds

Benefits	1
Terminology	2

### Performance Essentials & Essentials Plus Blinds

Features and Options	3
Specifications	4
	5

### Performance Premium Blinds

Features and Options	
Specifications	6-7
	8-9
	10

### Normandy Wood Blinds

Benefits	
Terminology	
Features and Options	11
Specifications	12

## Performance Faux Wood™ Blinds

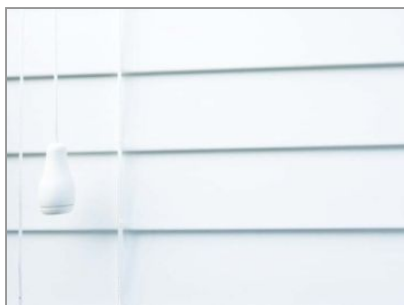


Performance Faux Wood™ blinds represent advances in engineering, formulation and style. By combining the most attractive elements of blinds with the timeless elegance of shutters, Performance Faux Wood™ blinds are able to provide exceptional value and refinement to any home.

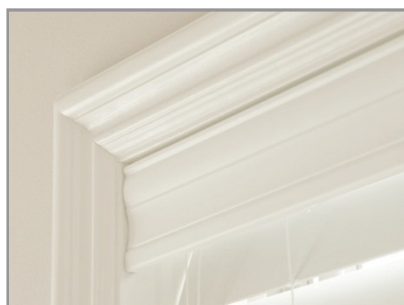
# Performance Faux Wood™ Blinds

## Benefits

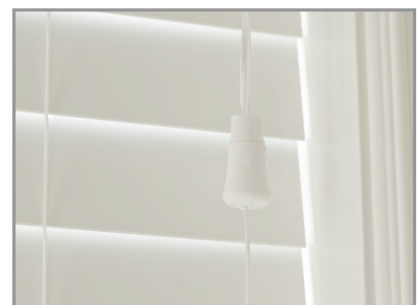
- Patented SmartPrivacy™ feature allows optimum blind closure for the utmost levels of privacy
- Endures over 2000 hours of UV testing for superior colorfastness
- Can withstand above average temperatures without warping (135° heat deflection temperature)
- New formulation significantly reduces pull force required to raise blinds
- Reengineered bottom rail adds structural integrity and prevents bowing when blind is raised
- Advanced tilting mechanism makes angling blinds effortless
- Innovative Insta-Lock™ system locks blinds at tighter horizontal intervals with ease
- Upgraded 3 ¼" designer crown valance adds extra style
- Cord lock mechanism minimizes cord fray for lasting enjoyment
- Cord release device breaks apart in case of child or pet entanglement and consolidates cords
- Blind slats are water-proof, fire retardant and lead free



SmartPrivacy™



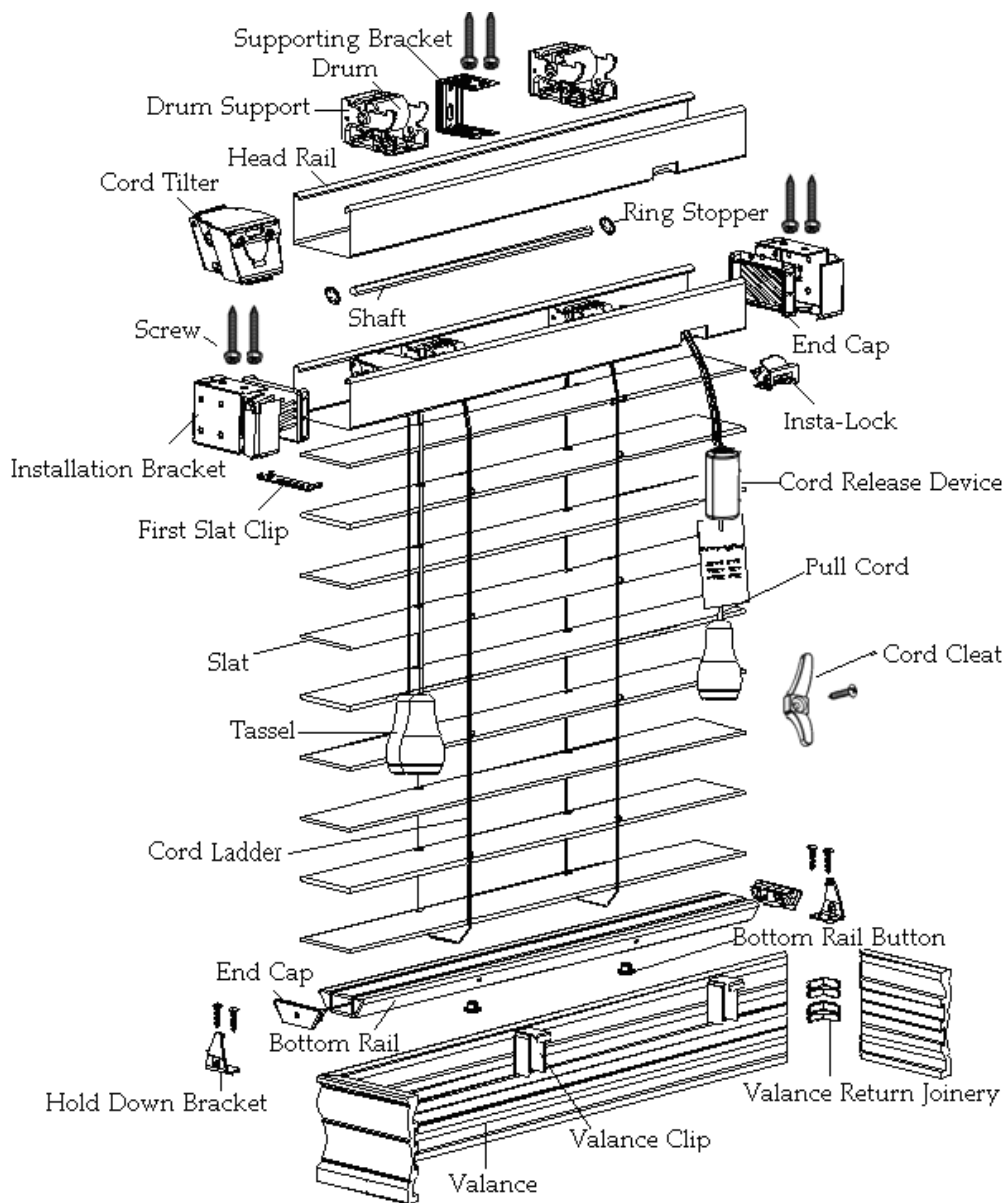
Designer Crown Valance



Cord Release Device

# Performance Faux Wood™ Blinds

## Terminology



## Features and Options

### Features

- SmartPrivacy™ standard
- 3 ¼" designer crown valance
- Cord tilt (tilt on left, lift on right)
- Semi-inside mount valance return: ¾"
- Outside mount valance return: 3 1/16" for 2" slats and 3 9/16" for 2 ½" slats
- Low profile steel head rail
- Engineered trapezoid bottom rail
- Hold down brackets included

### Options

- Common valance\* (Over 76" will be spliced in the middle)
  - Not available: 2 on 1, printed colors, regular route holes, wand tilt
- \* With surcharge

### Available Slat Colors

- Pure White, Pearl, Old Teak & Black Walnut for 2" slats
- Silk White, Pearl, Alabaster & Pure White for 2.5" slats

# Performance Essentials & Essentials Plus Program

## Specifications

### Ladder Chart

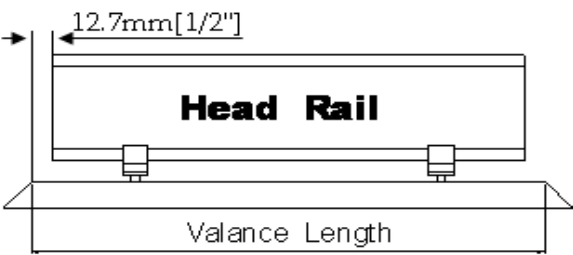
Blind Width	# of Ladders	# of Pull Cords
$8.5'' \leq W \leq 13''$	2	4
$13'' < W \leq 24''$	2	4
$24'' < W \leq 37''$	3	5
$37'' < W \leq 50''$	4	4
$50'' < W \leq 63''$	5	5
$63'' < W \leq 76''$	6	6
$76'' < W \leq 89''$	7	6
$89'' < W \leq 96''$	8	6

Note : Number of ladders and cords may vary if the blind order is close to the maximum width

### Size Limitations

	Minimum	Maximum
<b>Width ( Actual Size)</b>	8 ½"	96"
<b>Length</b>	10"	90"

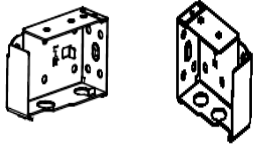
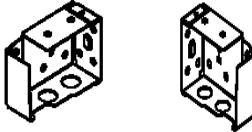

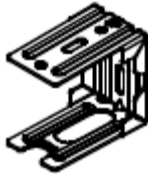
Note : 2" blind will have center tilt only , if less than 13"  
2.5" blind may have both lift & tilt on certain sizes

Return size		Drawings (top view)	Valance Length
(Inner Dimension)			(Inner Dimension)
<b>2" blinds</b>	3/4" & 3 1/16"		Blind width + 1"
<b>2.5" blinds</b>	3/4" & 3 9/16"		Blind width + 1"

# Performance Essentials & Essentials Plus Program

## Specifications

### Hardware

Installation Bracket		Supporting Bracket	
For 2" blind	For 2.5" blind	2" blinds	2.5" blinds
			



# Performance Premium Program

## Features and Options

### Features

- SmartPrivacy™ standard
- 3 ¼" designer crown valance
- Cord tilt (tilt on left, lift on right)
- Two slat sizes: 2" & 2 ½"
- Semi-inside mount valance return: ¾"
- Outside mount valance return: 3 1/16" for 2" slats and 3 9/16" for 2 ½" slats
- Low profile steel headrail
- Engineered trapezoid bottom rail

### Options

- Control options: standard , reverse and group
- Common valance\* ( Over 96" will be spliced in the middle)
- Tile cut-out\*
- 2 on 1 (default gap between blinds is ¼")
- Printed colors\*
- SafeNotch™ route holes : available in 2" only
- Wand tilt: not available



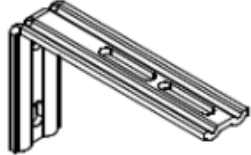

\* With surcharge

### Available Slat Colors

- |                 |                  |
|-----------------|------------------|
| • Pure White    | • Limed White*   |
| • Silk White    | • Driftwood*     |
| • Bright White  | • Natural Oak*   |
| • Pearl         | • Chestnut*      |
| • Cameo         | • Old Teak*      |
| • Alabaster     | • Black Walnut*  |
| • Birch         | • Cherry*        |
| • Taupe         | • Dark Mahogany* |
| • Bronze Brown* | *With surcharge  |

## Features and Options

### Optional Parts

Item	Drawings	Benefits
Cord cleat		Cord cleats are provided to assist in keeping cords out of children's reach. Color: Clear
Hold Down Bracket		Helps prevent the bottom rail from moving.
Extension Bracket		Allow $\frac{1}{2}$ " to $1\frac{1}{4}$ " maximum extension outward from the mounting surface.
Spacer Block		Allows a $\frac{3}{8}$ " extension outward from the wall.

# Performance Premium Program

## Specifications

### Ladder Chart

Blind Width	# of Ladders	# of Cords
8 ½" – 24"	2	4
24 1/8" – 37"	3	5
37 1/8" – 50"	4	4
50 1/8" – 63"	5	5
63 1/8" – 76"	6	6
76 1/8" – 89"	7	6
89 1/8" – 96"	8	6

### Size Limitations

Size	Single Blind		2 on 1*	
	Min	Max	Min	Max
Width ( Actual Size)	6.5"	96"	13 ¼"	120"
Length	10"	118"	10"	118"

- \* Each blind has separate cord controls
- Center tilt only for blind < 12"

# Performance Premium Program

## Specifications

### Color Coordination Chart

Blind Color	Headrail	Ladder & Cord	Cord Release Device & Tassel	Bottom Rail Button	Bottom Rail & End Cap
P001 Pure White	3058 Pure White	T001 White	2037 Snow White	2037 Snow White	2080 Pure White
P003 Silk White					2003 Silk White
P004 Bright White					2079 Bright White
P030 Cameo	H002 Vanilla	5020 Alabaster	2012 Cameo	2012 Cameo	2012 Cameo
P006 Pearl					2095 Pearl
P025 Alabaster					2064 Alabaster
P032 Birch					2063 Birch
P410 Taupe					2465 Taupe
P933 Limed White					2059 Limed White
P411 Bronze Brown	3523 Sugar Maple	5413 Walnut	2413 Walnut	2413 Walnut	2466 Bronze Brown
P937 Driftwood	3105 Gray	T168 Gray	P101 Gray	P101 Gray	2124 Driftwood
P226 Chestnut	3523 Sugar Maple	5526 Cottage Pine	2522 Teak	2522 Teak	2536 Chestnut
P936 Natural Oak			P501 Wheat	2413 Walnut	2572 Natural Oak
P230 Old Teak	3436 Coffee	5413 Walnut	2413 Walnut	2413 Walnut	2435 Old Teak
P221 Black Walnut	3208 Black	T201 Black	P201 Black	P201 Black	2202 Black Walnut
P211 Cherry	3436 Coffee	5413 Walnut	P401 Cherry	2413 Walnut	2417 Cherry
P233 Dark Mahogany		5430 Mahogany			2434 Mahogany

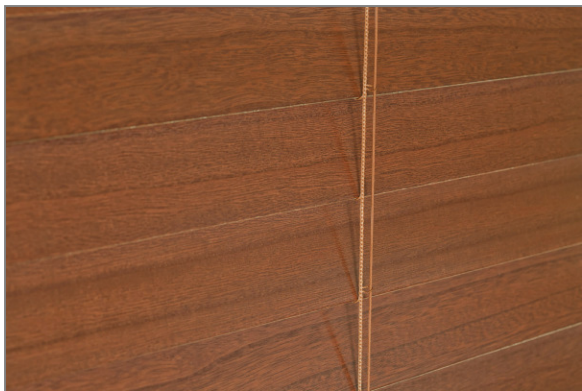
# Normandy® Wood Blinds



Made from one of the most environmentally sound hardwoods available, our Normandy® Wood Blinds are masterfully crafted to produce a flawless wood grain finish. Normandy® Wood Blinds are designed to provide distinction to every window in order to exceed the highest of expectations.

## Benefits

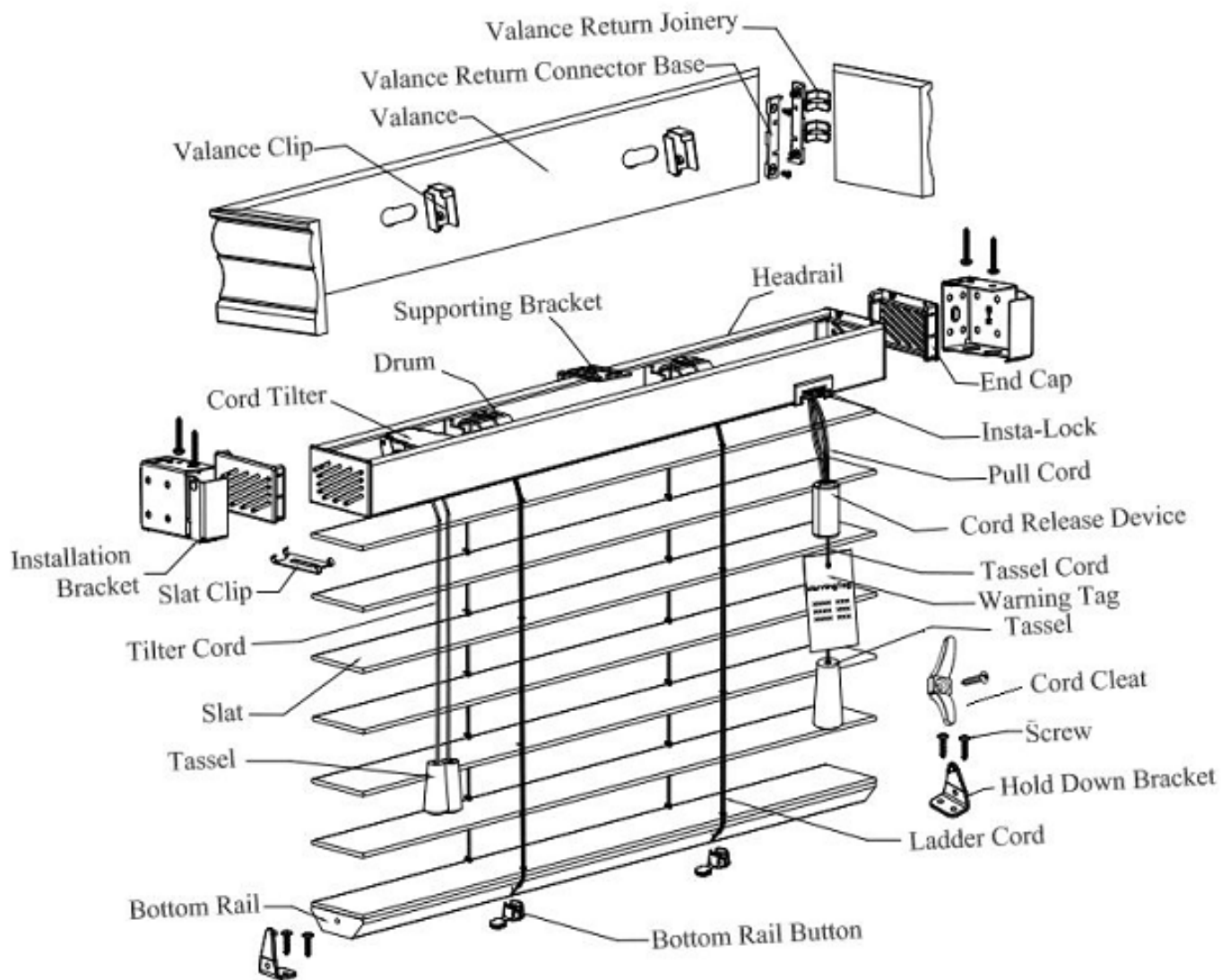
- Environmentally friendly premium solid wood slats
- Textured grain finish highlights the natural characteristic of the wood
- Patented SmartPrivacy™ feature allows optimum blind closure for the utmost levels of privacy
- Light weight enables easier lifting and lowering
- Advanced tilting mechanism makes angling blinds effortless
- Innovative Insta-Lock™ system locks blinds at tighter horizontal intervals with ease
- Upgraded 3 ¼" designer crown valance adds extra style
- Locking mechanisms minimize cord fray for lasting enjoyment
- Cord Release Device consolidates cords and breaks apart in case of child entanglement



Distinct wood grain finish

# Normandy® Wood Blinds

## Terminology



## Features and Options

### Features

- SmartPrivacy™ standard
- 3 ¼" designer crown valance
- Cord tilt (tilt on left, lift on right)
- Two slat sizes: 2" & 2 ½"
- Semi-inside mount valance return: ¾"
- Outside mount valance return: 3 1/16" for 2" slats and 3 9/16" for 2 ½" slats
- Low profile steel headrail

### Options

- Control options: standard, reverse, group
- Hold down brackets
- Valances: 2 ½" Contempo, 3" Contempo, 3 ¼" Crown\*
- Cloth tapes: 1" solid colors, 1" designer decorative tapes\*
- Tile cut-out\*
- 2 on 1 (default gap between blinds is ¼")
- Common valance\* (Over 96" will be spliced in the middle)
- Designer cord cleat\*

\* With surcharge



3 ¼" Crown Valance



2 ½" & 3" Contempo Valance



3 ¼" Designer Crown Valance



Designer Cord Cleat (metal)

Available in Black, Bronze and Silver



## Features and Options

### Available Slat Colors

- Pure White
- Silk White
- Pearl
- Crisp Linen
- Limed White
- Chestnut
- Old Teak
- Rustic Gray
- Cherry
- Dark Mahogany
- Black Walnut
- Mellow Beech
- Rich Walnut
- Wenge
- French Oak
- Amber Oak
- Matte Black\*

\* With surcharge



1" Solid Tape Colors



1" Designer Tape Colors

## Features and Options

### Color Coordination chart

<b>Normandy Blind Color</b>	<b>Painted Parts Color</b>	<b>Ladder &amp; Cord Color</b>	<b>Tassel &amp; Cord Release Device</b>	<b>Bottom Rail Button Color</b>
<b>ND001 Pure White</b>	3058 Pure White	T001 White	2037 Snow White	2037 Snow White
<b>ND003 Silk White</b>	3058 Pure White	T001 White	2037 Snow White	2037 Snow White
<b>ND006 Pearl</b>	H002 Vanilla	5020 Alabaster	2012 Cameo	2012 Cameo
<b>ND012 Crisp Linen</b>	H002 Vanilla	5020 Alabaster	2012 Cameo	2012 Cameo
<b>ND108 Rustic Gray</b>	3105 Gray	T168 Gray	P101 Gray	P101 Gray
<b>ND110 Limed White</b>	H002 Vanilla	5020 Alabaster	2012 Cameo	2012 Cameo
<b>ND211 Cherry</b>	3436 Coffee	5413 Walnut	P401 Cherry	2413 Walnut
<b>ND221 Black Walnut</b>	3208 Black	T201 Black	P201 Black	P201 Black
<b>ND224 Mellow Beech</b>	H501 Natural	5565 Maple	2522 Teak	2526 Cottage Pine
<b>ND226 Chestnut</b>	3523 Sugar Maple	5526 Cottage Pine	2522 Teak	2516 Dark Peru
<b>ND229 Rich Walnut</b>	3436 Coffee	5413 Walnut	2413 Walnut	2413 Walnut
<b>ND230 Old Teak</b>	3436 Coffee	5413 Walnut	2413 Walnut	2413 Walnut
<b>ND233 Dark Mahogany</b>	3436 Coffee	5430 Mahogany	2437 Mahogany	2437 Mahogany
<b>ND237 Wenge</b>	3436 Coffee	5430 Mahogany	2437 Mahogany	2437 Mahogany
<b>ND862 French Oak</b>	3523 Sugar Maple	5526 Cottage Pine	P501 Wheat	2522 Teak
<b>ND942 Amber Oak</b>	3523 Sugar Maple	5526 Cottage Pine	P501 Wheat	2516 Dark Peru
<b>ND246 Matte Black</b>	3208 Black	T201 Black	P201 Black	P201 Black

## Specifications

### 2" Slat Ladder Chart

Blind Width	# of Ladders	# of Cords
8" – 12"	2	2
12 1/8" – 32"	2	4
32 1/8" – 54"	3	4
54 1/8" – 78"	4	4
78 1/8" – 96"	5	6

### 2 1/2" Slat Ladder Chart

Blind Width	# of Ladders	# of Cords
8" – 12"	2	2
12 1/8" – 36 1/2"	2	4
36 5/8" – 54"	3	4
54 1/8" – 75"	4	4
75 1/8" – 96"	5	6

### Size Limitations

Size	Single Blind		2 on 1*	
	Min	Max	Min	Max
Width ( Actual Size)	8"	120"	16 1/4"	120"
Length	10"	120"	10"	120"

\* Each blind has separated cord controls

- Center tilt only for blind <12"
- Maximum width (stain color): 96"

## Valance & Return Size Information

### Valance Size Information

	Normandy Premium Wood
Inside Mount with <b>NO</b> returns	Order width – 1/8"
Inside Mount with 3/4" returns	Order width + 1/4"
Outside Mount with <b>NO</b> returns	Order width +2"
Outside Mount with returns	Order width +1"

\*These formulas are used to calculate BACKSIDE valance measurement

\*Standard inside mount deduction : 3/8"

### Valance Return Information

Product Type	Standard Return Option
2"	3/4" ( Semi-inside) & 3 1/16"( Outside)
2.5"	3/4" ( Semi-inside) & 3 9/16"( Outside)

\*Minimum Return length is 1/2"; maximum return length is 8"

\*Both returns will be included inside of the **Performance Essentials** package .

\*When spacer block is chosen for 2" OB blinds, recommended return size is 3 7/16"

\*When spacer block is chosen for 2.5" OB blinds, recommended return size is 3 15/16"