

NORMAN®

SHUTTERS. BLINDS. SHADES.



Norman Faux Wood Blinds

Program Reference Guide

Revision Log

Date	Changes
03/21/2017	Updated Premium Faux Wood Blinds Pg. 10: Added installation hardware & supporting bracket drawings Pg. 13: Added control position table Pg. 14: Added common valance information Pg. 15: Added cut-out note
04/05/2017	Pg. 10: Updated installation hardware chart
07/03/2017	Pg. 6: Updated minimum mounting depth requirements for Flush IB Pg. 7: Updated hardware quantity standard chart with swivel bracket quantities (based on width) Pg. 10: Added swivel bracket notes Pg. 13: Added control position chart for 2 on 1
08/16/2017	Pg. 10: Updated Premium Faux Wood components chart Pg. 12-13: Added swivel bracket specifications Pg. 14: Updated color coordination chart Pg. 15: Updated Premium Faux Wood mounting depth requirements chart Pg. 16: Updated 2 on 1 chart
12/21/2017	Pg. 3-6: Added ETeck™ Faux Blinds information Pg. 21: Updated control position information – group control
05/11/2018	Pg. 4, 7: Added new ETeck colors Pg. 6: Added Hold down bracket info Pg. 17: Updated Mounting Depth Requirement info for Semi-Inside Mount

	Page
ETeck Faux Wood	
Features & Options	4
Terminology	5
General Specifications	6 – 7
Essentials Faux Wood	
Features & Benefits	8
Terminology	9
Features & Options	10
General Specifications	11 – 12
Premium Faux Wood	
Features & Options	13
Terminology	14
Components	15 – 19
General Specifications	20 – 22
Other Options	
Common Valance	23
Two-on-one Head Rail	23
Cut-outs	24

Features & Options

Features

- Decorative, valance free, PVC headrail
- Engineered trapezoid bottomrail
- Standard cord tilt (tilt on left, lift on right); for widths less than 13", center tilt only

Available Colors

Designer White	Mist*
Silk White	Limed White*
Pearl	Chestnut*
Alabaster	Black Walnut*

*Surcharge applies

Options

- Options not available: exact length, 2-on-1 or 3-on-1, cloth tapes, wand tilt
- Next day production (surcharge applies)

Size Limitations

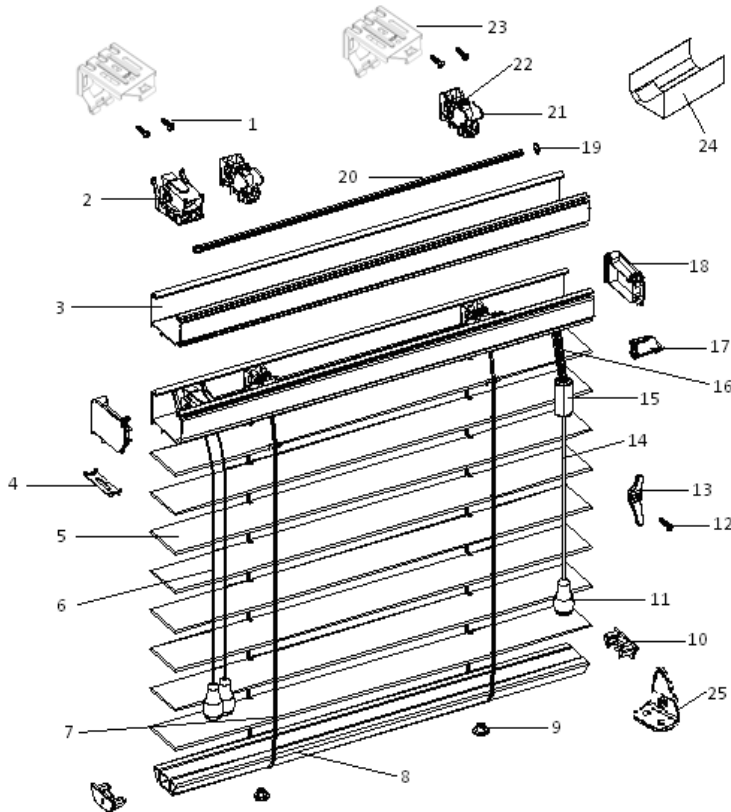
	Minimum	Maximum	Max Sqft
Width	8 1/2"	96"	64 sqft
Length	10"	96"	

Note : Center tilt only if blind width is less than 13"

Mounting Depth Requirements

Slat Size	Semi-Inside Mount	Flush IB
2"	1 5/8"	2 11/16"

Terminology



	Description		Description		Description
1	Screw for Installation Bracket	10	Bottom Rail End Cap	19	Ring Stopper
2	Cord Tilter	11	Courbe Tassel	20	Tilt Rod
3	Decorative PVC Head Rail	12	Screw for cord Cleat & Hold Down Bracket	21	Drum Support
4	Slat Clip	13	Cord Cleat	22	Drum
5	Slat	14	Tassel Cord	23	Installation Bracket
6	Tilt Cord	15	Cord Release Device	24	Head Rail Insert (steel)
7	Ladder Cord	16	Pull Cord	25	Hold Down Bracket
8	Bottom Rail	17	Insta-Lock		
9	Bottom Rail Button	18	Head Rail End Cap		

General Specifications

Ladder Chart

Blind Width	# of Ladders	# of Pull Cords
$W \leq 13"$	2	4
$13" < W \leq 24"$	2	4
$24" < W \leq 37"$	3	5
$37" < W \leq 50"$	4	4
$50" < W \leq 63"$	5	5
$63" < W \leq 76"$	6	6
$76" < W \leq 89"$	7	6
$89" < W \leq 96"$	8	6

Note : Number of ladders may vary if the blind order is close to the maximum width

Standard Deductions

Inside Mount: Order Width – 3/8" = Blind Width

Outside Mount: Order Width = Blind Width

- Blind length is measured from top edge of head rail to the edge of bottom rail with slats in an open position
- Tolerance: Blind width may vary – 1/8", +1/8". Blind length may vary up to 1 slat.

Hardware

Blind Width	Installation Bracket Quantity
$W \leq 37"$	2
$37" < W \leq 47"$	3
$47" < W < 60"$	4
$60" \leq W \leq 75"$	4
$75" < W \leq 96"$	5

Note: Hold down brackets will be included in width 32" or less.

 General Specifications

Color Coordination

Slat Color	Headrail	Installation Bracket
Designer White 6051	2080 Pure White	3058 White
Silk White 6017	2003 Silk White	3058 White
Pearl 6019	2095 Pearl	H002 Vanilla
Alabaster 6025	2064 Alabaster	H002 Vanilla
Mist 6957	2003 Silk White	3058 White
Limed White 6933	2059 Limed White	3059 Limed White
Chestnut 6921	2537 Oak Mantel	3523 Sugar Maple
Black Walnut 6923	2202 Black Walnut	3208 Black

Features & Benefits

- Patented SmartPrivacy™ feature allows optimum blind closure for the utmost levels of privacy
- Endures over 2000 hours of UV testing for superior colorfastness
- Can withstand above average temperatures without warping (135° heat deflection temperature)
- New formulation significantly reduces pull force required to raise blinds
- Reengineered bottom rail adds structural integrity and prevents bowing when blind is raised
- Advanced tilting mechanism makes angling blinds effortless
- Innovative Insta-Lock™ system locks blinds at tighter horizontal intervals with ease
- Upgraded 3 ¼" designer crown valance adds extra style
- Cord lock mechanism minimizes cord fray for lasting enjoyment
- Cord release device breaks apart in case of child or pet entanglement and consolidates cords
- Blind slats are water-proof, fire retardant and lead free

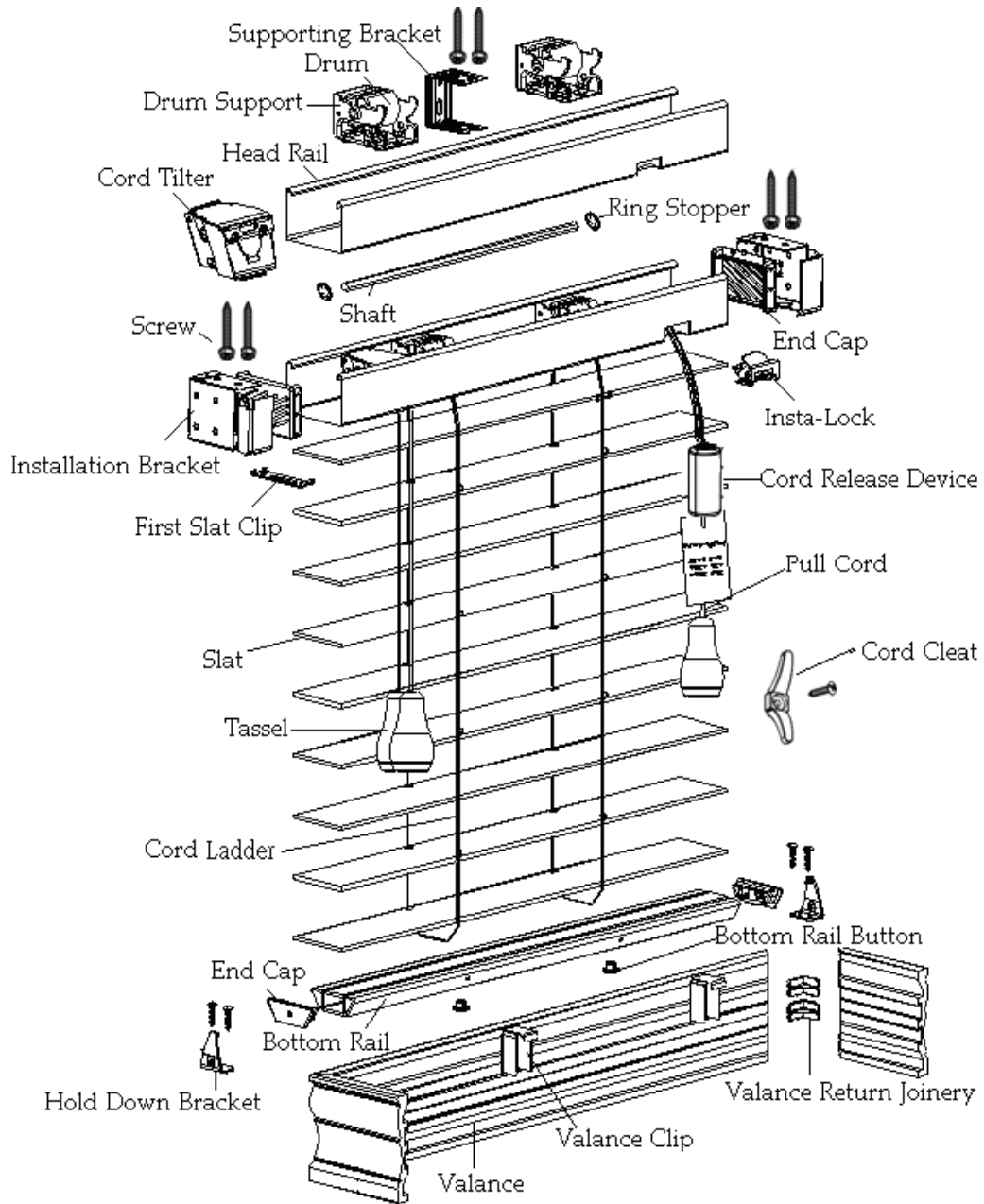


SmartPrivacy™



Designer Crown Valance

Terminology



Features and Options

Features

Slat Size	2" & 2 ½"
Valance	3 ¼" Designer Crown
Privacy	SmartPrivacy™ standard
Valance Returns	<ul style="list-style-type: none"> •Included in the box: ¾" & 3 1/16" for 2" slats and ¾" & 3 9/16" for 2 ½" slats •Other available sizes: ½", 1 ¼", 2", 3 1/16", 4 ¼" •Custom valance return available when "Exact Length" option is selected.
Tilt	Cord Tilt
Blind Length	Up to 1 slat tolerance
Available Colors	<ul style="list-style-type: none"> • Pure White, Pearl, Old Teak* & Black Walnut * for 2" slats • Silk White, Pearl, Alabaster & Pure White for 2.5" slats * 20% surcharge on printed colors

Options

- Exact length (with surcharge)
- Valance flush cut
- Common valance (Over 96" will be spliced in the middle.)

Size Limitations

	Minimum	Maximum	Sqft
Width (Actual Size)	8 ½"	96"	64 sqft
Length	10"	96" (90" for 2" Old Teak & Black Walnut)	

Note : 2" blind will have center tilt only , if less than 13" in width; 2.5" blind may have both lift & tilt in certain sizes

General Specifications

Mounting Depth Requirements

	Semi Flush IB	Flush IB
2"	2 3/16"	3 9/16"
2 1/2"	1 11/16"	4 1/16"

Standard Deductions

Inside Mount: Ordered Width – 3/8" = Blind Width

Outside Mount: Ordered Width = Blind Width

Ladder Chart

Blind Width	# of Ladders	# of Pull Cords
8.5" ≤ W ≤ 13"	2	4
13" < W ≤ 24"	2	4
24" < W ≤ 37"	3	5
37" < W ≤ 50"	4	4
50" < W ≤ 63"	5	5
63" < W ≤ 76"	6	6
76" < W ≤ 89"	7	6
89" < W ≤ 96"	8	6

Note : Number of ladders and cords may vary if the blind order is close to the maximum width

General Specifications

Valances

	Drawings (top view)	Valance Length (Inner Dimension)
2" blinds		IB without returns: Order Width – 1/8" IB with returns: Order Width + 5/8" OB: Order Width + 1"
2.5" blinds		IB without returns: Order Width – 1/8" IB with returns: Order Width + 5/8" OB: Order Width + 1"

Hardware Quantity Standard

Blind Width	Installation Bracket	Supporting Bracket	Valance Clip (Steel)	Valance Return Joinery
$W \leq 37"$	2	0	2	4
$37" < W \leq 47"$	2	1	3	4
$47" < W < 60"$	2	2	3	4
$60" \leq W \leq 75"$	2	2	4	4
$75" < W \leq 96"$	2	3	4	4

Note: Hold down brackets will be included in width 27" or less.

Features and Options

Features

- SmartPrivacy™ standard
- 3 ¼" designer crown valance
- Cord tilt (tilt on left, lift on right)
- Two slat sizes: 2" & 2 ½"
- Low profile steel headrail
- Engineered trapezoid bottom rail

Options

- Control options: standard , reverse and group
- Common valance*(Over 96" will be spliced in the middle)
- Tile cut-out
- 2 on 1 (default gap between blinds is ¼")
- SmartPrivacy™ standard
- Cord tilt only

Standard Deductions

- Inside Mount: Ordered Width – 3/8" = Blind Width
- Outside Mount: Ordered Width = Blind Width
- Width Tolerance= - 1/8"/ + 1/8"
- Height Tolerance= - 1/8"/ + 3/8"

Available Colors

Painted Colors		Printed Colors	
Pure White	Silk White	Limed White	Driftwood
Bright White	Pearl	Natural Oak	Chestnut
Cameo	Alabaster	Old Teak	Black Walnut
Birch	Taupe	Cherry	Dark Mahogany
Bisque	Bronze Brown	Ebony	French Oak
		Gray	

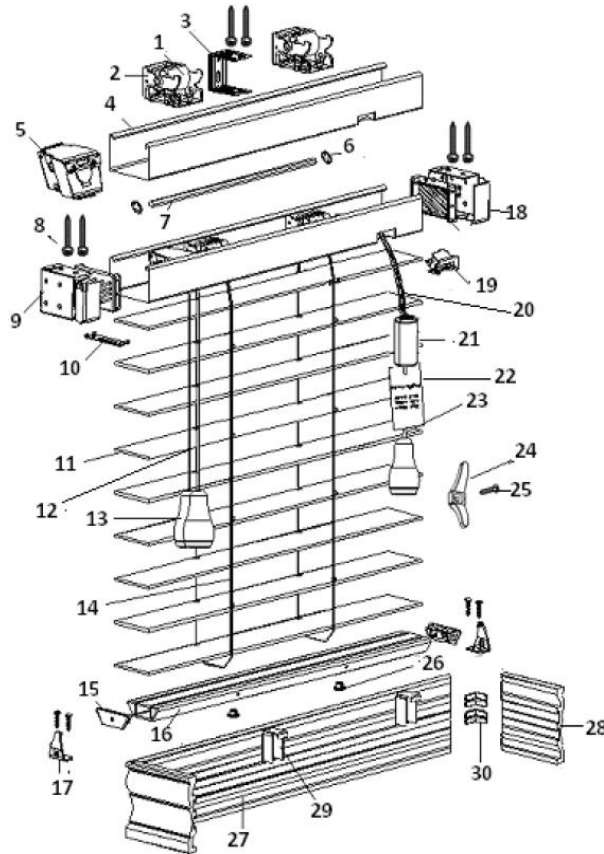
Size Considerations

Size	Single Blind			2 on 1*				
	Min Blind	Max Blind	Sqft	Min Panel	Max Panel	Min Blind	Max Blind	Sqft
Width (Actual Size)	6.5"	96"	64 sqft	6.5"	96"	13 ¼"	120"	98 sqft
Length	10"	118"				10"	118"	

Note: Center tilt only for blind width less than 12"

Terminology

SmartPrivacy™ Corded System



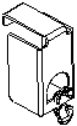
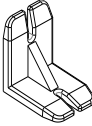

No	Description	No	Description	No	Description
1	Drum	11	Slat	21	Cord Release Device
2	Drum Support	12	Tilter Cord	22	Warning Tag
3	Supporting Bracket	13	Tassel	23	Tassel Cord
4	Steel Head Rail	14	Ladder Cord	24	Cord Cleat
5	Cord Tilter	15	Bottom Rail End Cap	25	Screw for Hold Down Bracket & Cord Cleat
6	Ring stopper	16	Bottom Rail	26	Bottom Rail Button
7	Tilt rod	17	Hold Down Bracket	27	Valance
8	Screw for Bracket	18	Head Rail End Cap	28	Valance Return
9	Installation Bracket	19	Insta-Lock	29	Steel Valance Clip
10	First Slat Clip	20	Pull Cord	30	Valance Return Connector

Components

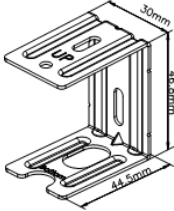
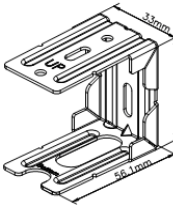
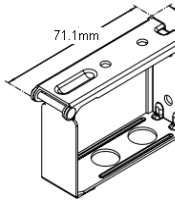
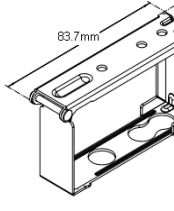
Standard Hardware Quantity

Blind Width (X)	Valance Clip (Steel)	Valance Return Joinery	Supporting Bracket	Installation Bracket	Swivel Bracket (Optional)	Cord Cleat
$X \leq 37''$	2	4	0	2	2	1
$37'' < X \leq 47''$	3	4	1	2	3	1
$47'' < X < 60''$	3	4	2	2	4	1
$60'' \leq X \leq 75''$	4	4	2	2	4	1
$75'' < X \leq 96''$	4	4	3	2	5	1

Valance Installation Hardware

Steel valance Clip	Valance Return Joinery	Valance Splicer (For Spliced Valance)
		

Supporting Brackets

For single blind width $\leq 96''$		For 2 on 1 blind	
For 2'' Slat (88 brackets)	For 2.5'' Slat (89 brackets)	For 2'' Slat	For 2.5'' Slat
			

Components

Standard Installation Brackets

2" Blind		2.5" Blind	
Left	Right	Left	Right

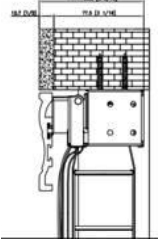
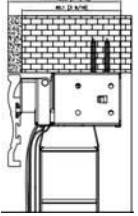
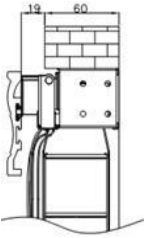
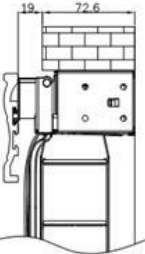
* Measurements in mm

Installation Position

Inside Mount	Semi-Inside Mount	Outside Mount
2" Blind	2" Blind with 3/4" Valance Return	2" Blind
2.5" Blind	2.5" Blind with 3/4" Valance Return	2.5" Blind

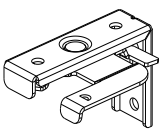

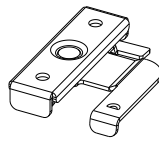
Components

Mounting Depth Requirement

Bracket	Mounting Type	Slat Size	Valance Return (Inner dimension)	Mounting Depth Requirement	Drawing
Installation Bracket (Standard)	Fully Inside Mount	2"	No valance return	3 9/16"	
		2.5"	No valance return	4 1/16"	
	Semi-Inside Mount	2"	3/4" (Default)	2 3/16"	
		2.5"	3/4" (Default)	2 11/16"	

Components

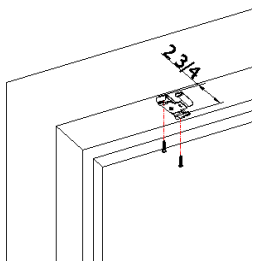
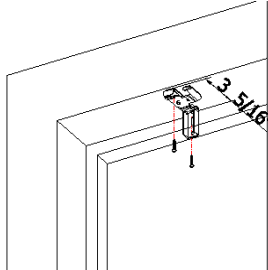
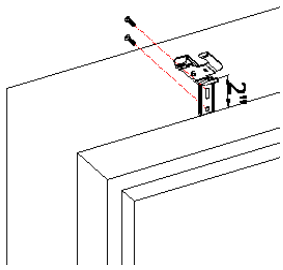
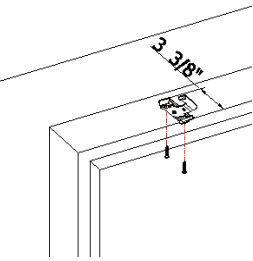
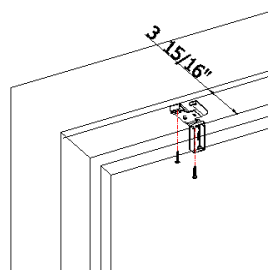
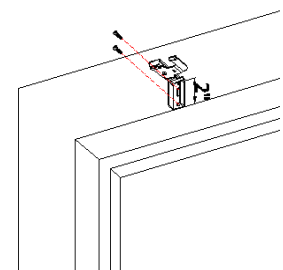
Swivel Brackets (Optional)

Swivel Bracket	
Swivel Bracket (OM)	Swivel Bracket (IM)
 <p>2"</p>  <p>2.5"</p>	 <p>2" & 2.5"</p>

* For swivel bracket option, supporting bracket is not needed.

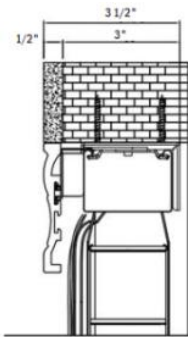
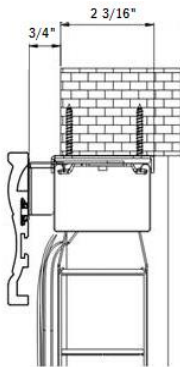
**The spacer block option is also available for swivel bracket for OB, but 2" screw should be used.

Installation Position

Inside Mount	Semi-Inside Mount	Outside Mount
<p>2" Blind</p> 	<p>2" Blind</p> 	<p>2" Blind</p> 
<p>2.5" Blind</p> 	<p>2.5" Blind</p> 	<p>2.5" Blind</p> 

Components

Mounting Depth Requirement

Bracket	Mounting Type	Slat Size	Valance Return (inner dimension)	Mounting Depth Requirement	Drawing
Swivel Bracket	Fully Inside Mount	2" & 2.5"	no valance return	3 1/2"	
	Semi-Inside Mount	2" & 2.5"	3/4"	2 3/16"	

General Specifications

Color Coordination Chart

NO.	Blind Color			Bottom Rail Color	Bottom Rail End Cap Color	Ladder & Cord Color	Head rail & Bracket Color	Cord Release Device & Tassel Color	Bottom Rail Button Color
	Color Name	Factory Color Code	NIC Color Code						
1	Pure White	6016	P001	2080 Pure White	2037 Snow White	T001 White	3058 White	2037 Snow White	2037 Snow White
2	Silk White	6017	P003	2003 Silk White	2037 Snow White	T001 White	3058 White	2037 Snow White	2037 Snow White
3	Bright White	6018	P004	2079 Bright White	2012 Cameo	T001 White	3058 White	2037 Snow White	2037 Snow White
4	Pearl	6019	P006	2095 Pearl	2012 Cameo	5020 Alabaster	H002 Vanilla	2012 Cameo	2012 Cameo
5	Cameo	6030	P030	2012 Cameo	2012 Cameo	5020 Alabaster	H002 Vanilla	2012 Cameo	2012 Cameo
6	Birch	6032	P032	2063 Birch	2063 Birch	5020 Alabaster	H002 Vanilla	2012 Cameo	2012 Cameo
7	Taupe	6410	P410	2465 Taupe	2059 Limed White	5020 Alabaster	H002 Vanilla	2012 Cameo	2012 Cameo
8	Bronze Brown	6411	P411	2466 Bronze Brown	2466 Bronze Brown	5413 Walnut	3523 Sugar Maple	2413 Walnut	2413 Walnut
9	Alabaster	6025	P025	2064 Alabaster	2059 Limed White	5020 Alabaster	H002 Vanilla	2012 Cameo	2012 Cameo
10	Limed White	6933	P933	6933 Lime White	2059 Limed White	5020 Alabaster	H002 Vanilla	2012 Cameo	2012 Cameo
11	Chestnut	6921	P226	6921 Chestnut	2522 Teak	5526 Cottage Pine	3523 Sugar Maple	2522 Teak	2522 Teak
12	Old Teak	6922	P230	6922 Old Teak	2435 Old Teak	5413 Walnut	3436 Coffee	2413 Walnut	2413 Walnut
13	Black Walnut	6923	P221	6923 Black Walnut	2202 Black Walnut	T201 Black	3208 Black	P201 Charcoal (Black)	P201 Charcoal (Black)
14	Cherry	6925	P211	6925 Cherry	2417 Cherry	5413 Walnut	3436 Coffee	P401 Cherry	2413 Walnut
15	Dark Mahogany	6924	P233	6924 Dark Mahogany	2434 Mahogany	5430 Mahogany	3436 Coffee	P401 Cherry	2413 Walnut
16	Driftwood	6937	P937	6937 Driftwood	2124 Driftwood	T168 Gray	3105 Gray	P101 Gray	P101 Gray
17	Natural Oak	6936	P936	6936 Natural Oak	2572 Natural Oak	5526 Cottage Pine	3523 Sugar Maple	P501 Wheat	2413 Walnut
18	Bisque	6050	6050	2095 Pearl	2012 Cameo	5020 Alabaster	H002 Vanilla	2012 Cameo	2012 Cameo
19	French Oak	6948	6948	6948 French Oak	2572 Natural Oak	5526 Cottage Pine	3523 Sugar Maple	2522 Teak	2522 Teak
20	Ebony	6950	6950	6950 Ebony	2435 Old Teak	5413 Walnut	3436 Coffee	2413 Walnut	2413 Walnut
21	Gray	6938	6938	6938 Gray	2124 Driftwood	T168 Gray	3105 Gray	P101 Gray	P101 Gray

General Specifications

Valance Width

Inside Mount with NO returns	Order width – 1/8"
Inside Mount with 3/4" returns	Order width + 1/4"
Outside Mount with NO returns	Order width +2"
Outside Mount with returns	Order width +1"

*All measurements are the BACKSIDE valance measurement

Valance Returns

Slat Size	Standard Valance Return Option
2"	3/4" (Semi-inside) & 3 1/16"(OB)
2.5"	3/4" (Semi-inside) & 3 9/16"(OB)

*Minimum Return length is 1/2"; maximum return length is 5" (backside)

**When 1 set of spacer block is selected for 2" OB blinds, recommended return size is 3 7/16"

***When 1 set of spacer block is selected for 2.5" OB blinds, recommended return size is 3 15/16"

Mounting Depth Requirements

Slat Size	Standard Installation Brackets	
	Semi-IB	Flushed IB
2"	2 3/16"	3 1/2"
2.5"	1 11/16"	4"

Cord Length

Blind Length	Tilt & Pull Cord Length
Between 10" to 29 7/8"	20"
30" to 42"	2/3 blind length
42 1/8" to 142"	1/2 blind length

General Specifications

Stacking Height

Blind Drop		
	2" Slat	2.5" Slat
36"	4.56"	4.06"
48"	5.44"	4.69"
72"	7.21"	6.07"
96"	8.97"	7.46"
118"	10.61"	8.72"

Ladder Chart

Blind Width	# of Ladders	# of Cords
8 1/2" – 24"	2	4
24 1/8" – 37"	3	5
37 1/8" – 50"	4	4
50 1/8" – 63"	5	5
63 1/8" – 76"	6	6
76 1/8" – 89"	7	6
89 1/8" – 96"	8	6

Control Position

Standard	Tilt Left, Lift Right	6.5" ≤ Blind Width < 12", Center Tilter only
Reverse	Tilt Right, Lift Left	Blind Width ≥ 12"
Group	Tilt Left, Lift Left or Tilt Right, Lift Right	Blind Width ≥ 18 1/8"

- When blind width ≥ 12", both tilt and lift will be included
- When blind width ≥ 18 1/8", the group control will be available

2 on 1

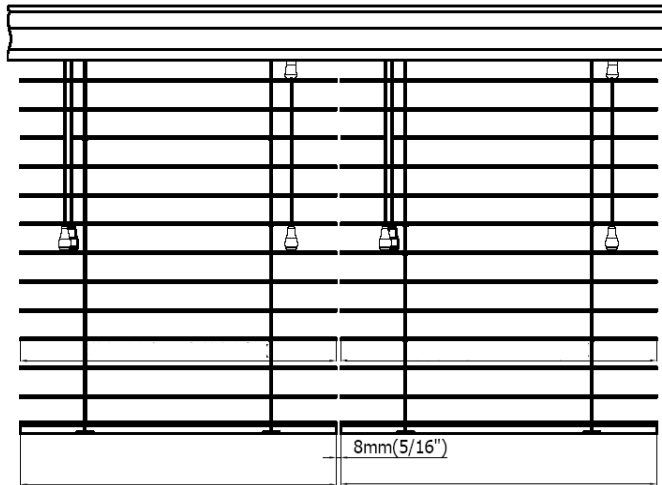
	Left Blind		Right Blind		
	Cord Tilter	Insta-Lock	Cord Tilter	Insta-Lock	
6.5" (single blind) ≤ Blind Width < 12" (single blind)	Center Tilter only		Center Tilter only		
12" (single Blind) ≤ Blind Width < 18 1/8" (single blind)	R	L	L	R	
Blind Width ≥ 18 1/8" (single blind)	Standard	L	L	R	R
	Optional	L	L	L	R
		R	L	R	R
		R	L	L	R

- When the tilt and lift are on the same side, the tilt is always on the outer side.

Common Valance, Two-on-one Head Rail & Cutouts

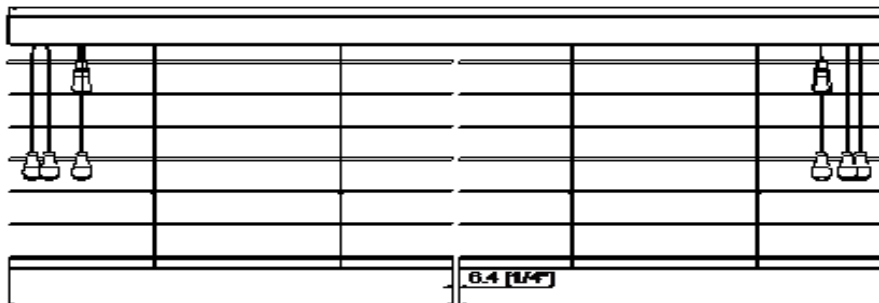
Common Valance

The gap between each blind will be 5/16".



Two-on-one Head Rail

- Price as two individual blinds
- The gap between two blinds is 1/4".
- Slat alignment between blinds is not guaranteed



 Common Valance, Two-on-one Head Rail & Cutouts

Cut-outs

A cut-out is a blind with an area removed to avoid an existing obstruction. Please provide detailed measurements of the area to be removed, which should include cut-out width, cut-out height, left width and right width.

1. Cut-outs are measured when slats are at a closed position.
2. We encourage customers to provide a diagram.
3. Cut-outs are not available in 2-on-1 blinds.

Cut-out Location	Blind Width	Min Cut-out Width	Max Cut-out Width
1. Bottom Corner (Left, Right or Both) 2. Cut-out doesn't involve cutting bottom rail	Between 6.5" and less than 12"	1/8"	0.5"
	Between 12" and 19.125"		2"
	19.125" or wider		4.5"

*Please note: cut-out will be made when slats are at a closed position based on the cut-out size provided and slat will be cut entirely.