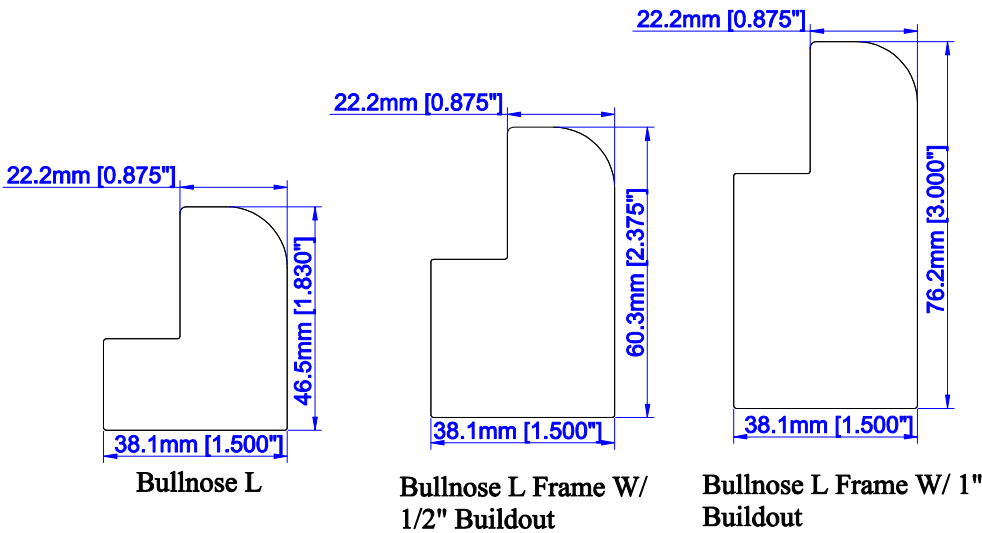
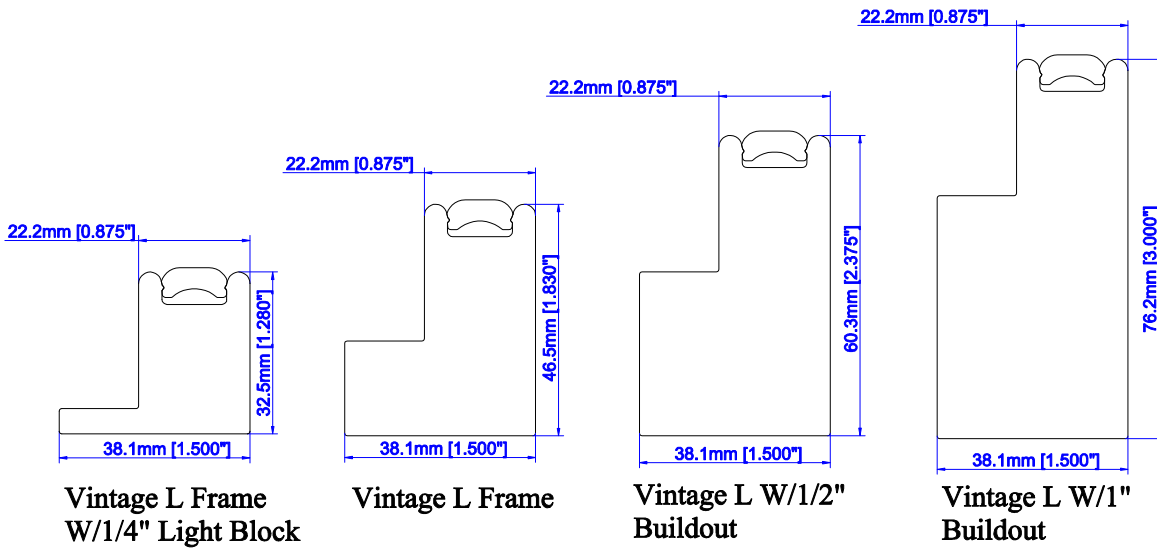
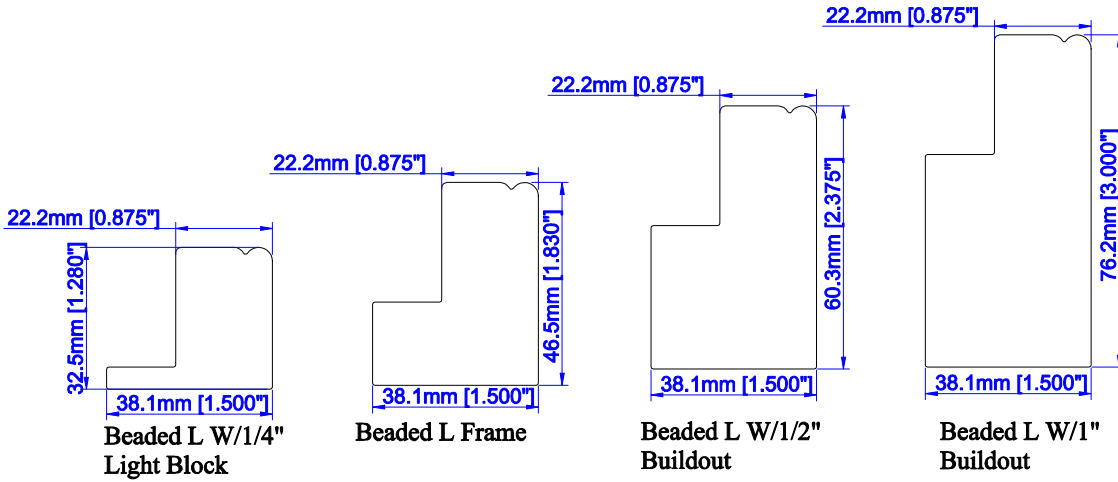
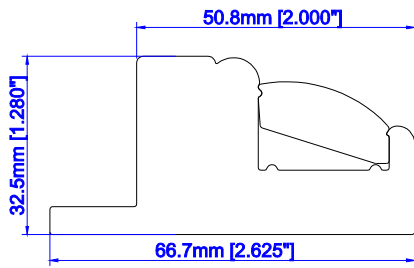


# Frame Styles

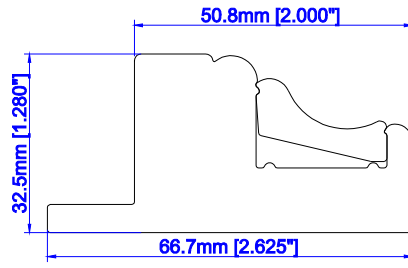


\*Surcharge applies. Please see Options and Surcharges page for details.

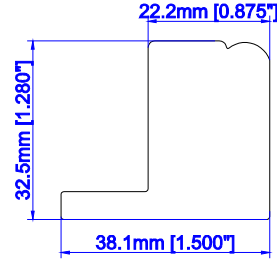
# Frame Styles



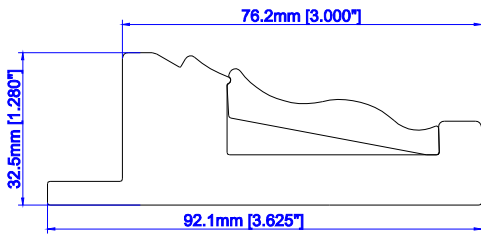
**2" Camber Deco Frame**



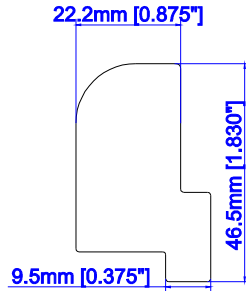
**2" Classic Deco Frame**



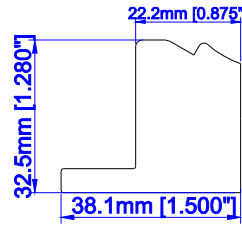
**2" Deco Sill Plate**



**3" Ridge Deco Frame**



**Tilt Out Z Frame**

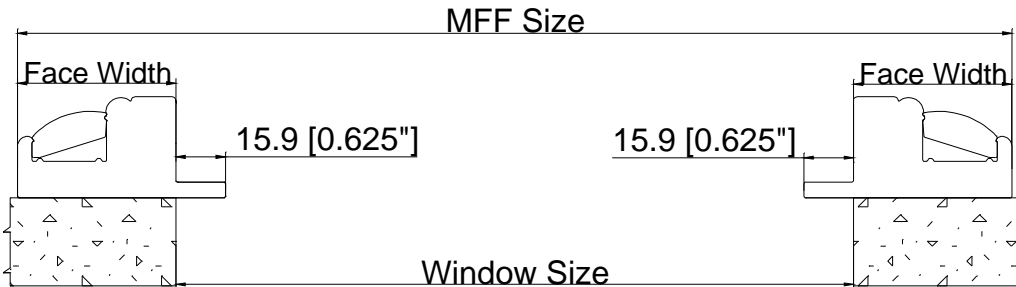


**Ridge Deco Sill Plate**

There are 2 options for the Deco frame installation when Window Size is given (Take Camber Deco frame as an example)

1. Default: light block part install into the window opening;

The window size is the exact size of the window opening;  
 The MFF size is the measurement of the entire shutter, including the frames;  
 The MFF size = Window Size + Face Width



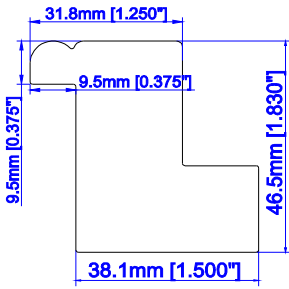
2. Optional: light block part flush with window opening.

The window size is the exact size of the window opening;  
 The MFF size is the measurement of the entire shutter, including the frames;  
 The MFF size = Window Size + Frame Back Width

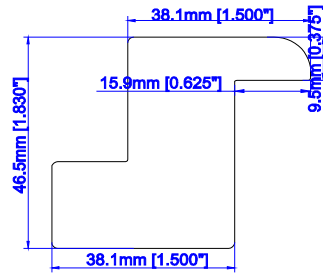


\*Surcharge applies. Please see Options and Surcharges page for details.

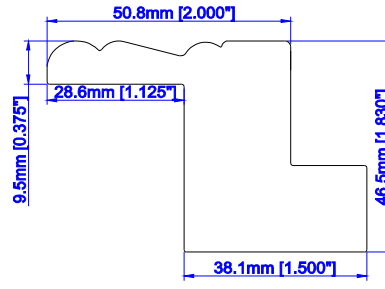
# Frame Styles



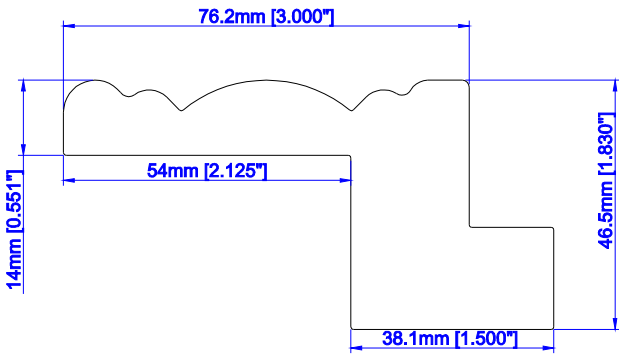
1 1/4" Beaded Z Frame



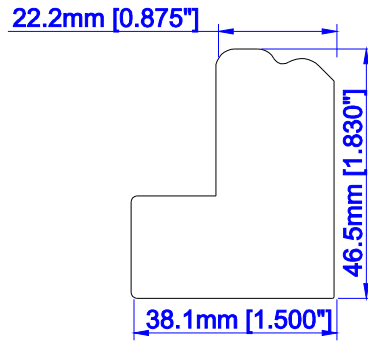
1 1/2" Bullnose Z Frame



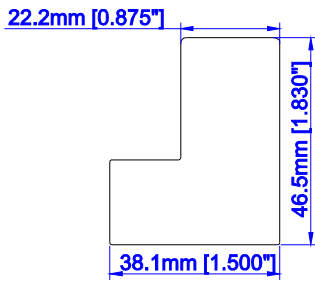
2" Bel Air Z Frame



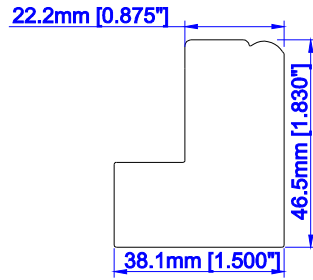
3" Crown Z Frame



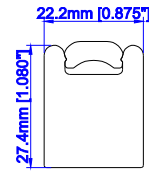
3" Crown Z Sill Plate



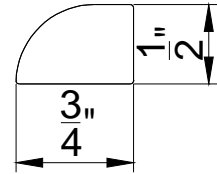
1 1/2" Bullnose Z  
1 1/4" Beaded Z  
Sill Plate



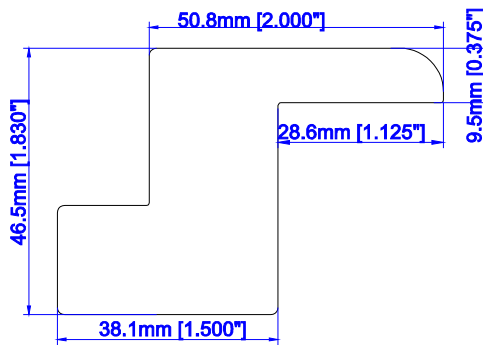
2" Bel Air Z Sill Plate



Vintage Hang Strip



Quarter Round

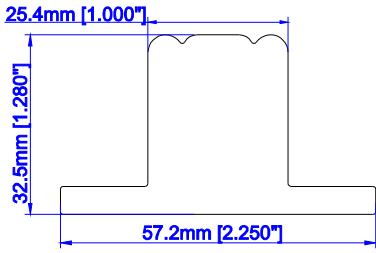


2" Bullnose Z Frame

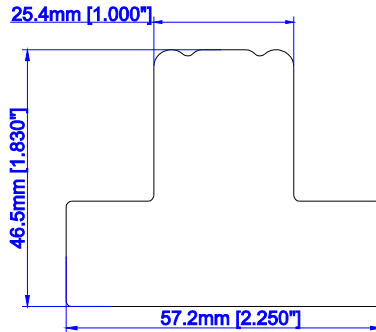
**Note: 2" Bullnose Z frame is only available in color 001 Pure White & 003 Silk White.**

\*Surcharge applies. Please see Options and Surcharges page for details.

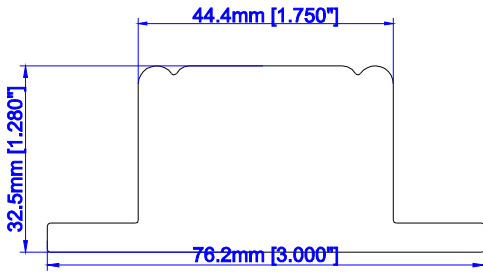
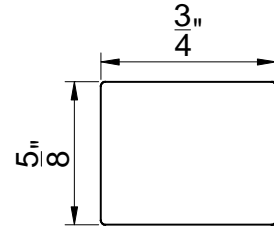
# Frame Styles



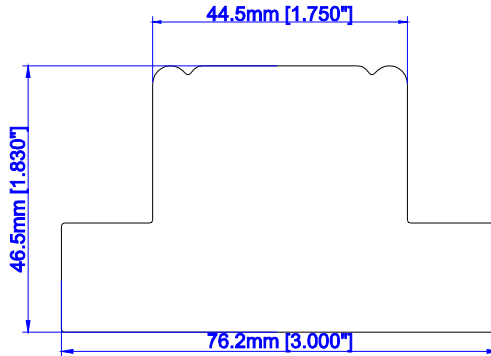
**1" T Post W/ 1/4" Light Block (Deco)**



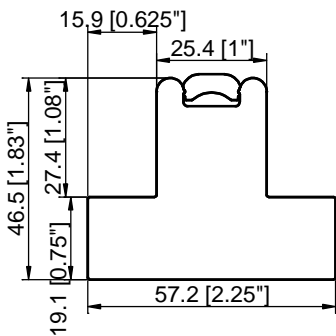
**1" T Post W/ 3/4" Light Block (L/Z/HS)**



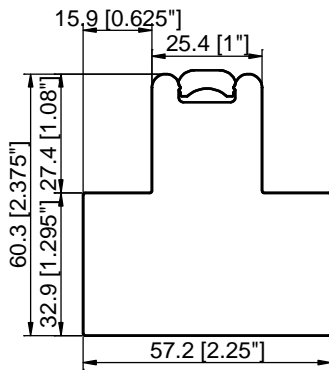
**1 3/4" T Post W/ 1/4" Light Block (Deco)**



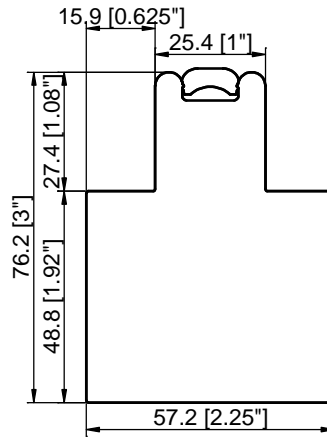
**1 3/4" T Post W/ 3/4" Light Block (L/Z/HS)**



**1" T Post with Insert w/ 3/4" Light Block**



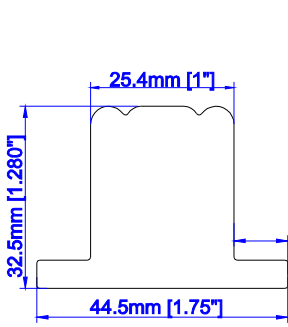
**1" T Post with Insert w/ 1 5/16" Light Block**



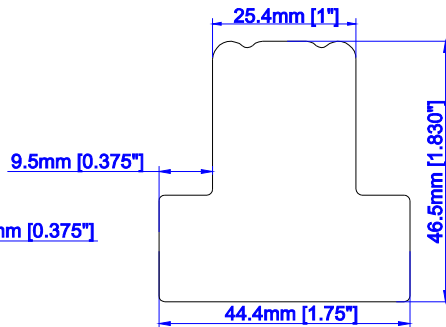
**1" T Post with Insert w/ 1 15/16" Light Block**

\*Surcharge applies. Please see Options and Surcharges page for details.

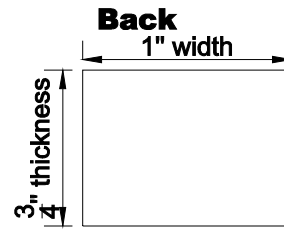
## Frame Styles



1" T Post W/ 1/4" Thick  
3/8" Wide Light Block (Deco)

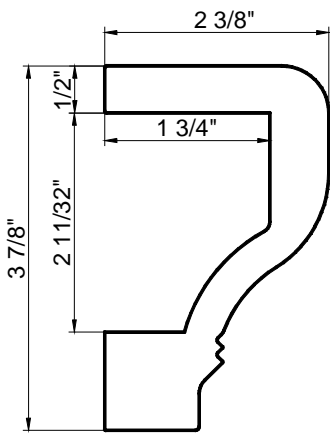


1" T Post W/ 3/4" Thick 3/8"  
Wide Light Block (L/Z/HS)

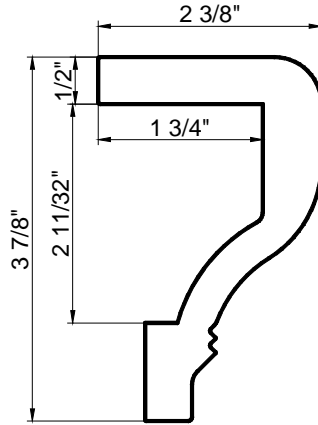


**Back**  
1" width  
**Front**  
1" \* 3/4" Post (No light block)

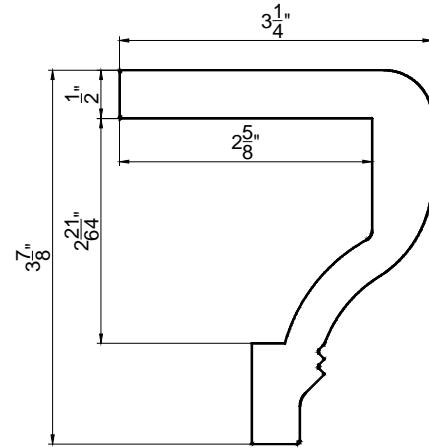
Note: The 1"x3/4" Post (No Light Block) is only available for Direct Mount. And no hardware will be supplied to install it on the existing window opening.



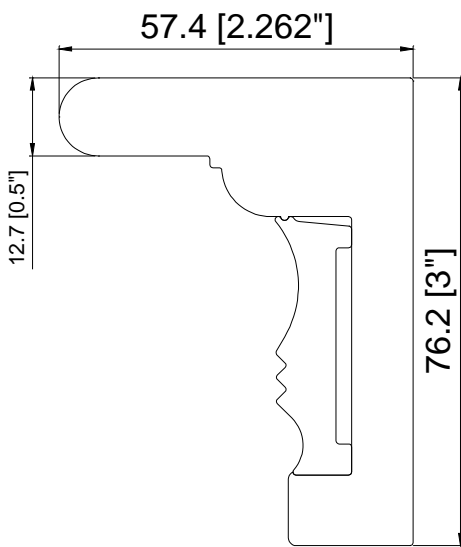
Curved Designer Sill Cap (L)



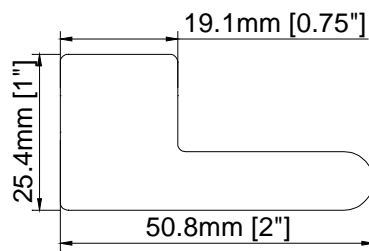
Curved Designer Sill Cap (D/HS)



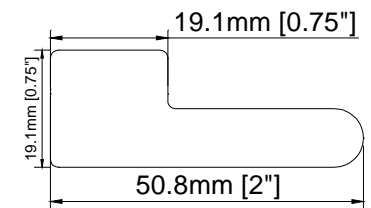
Curved Designer Sill Cap (Z)



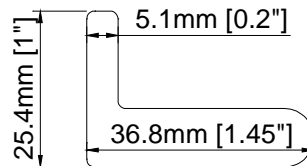
3" Deco Sill Frame



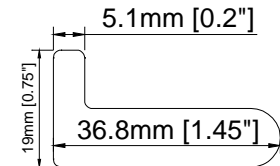
2" Sill Plate with 5/8"  
Light Block (L/Z)



2" Sill Plate with 3/8"  
Light Block (L/Z)



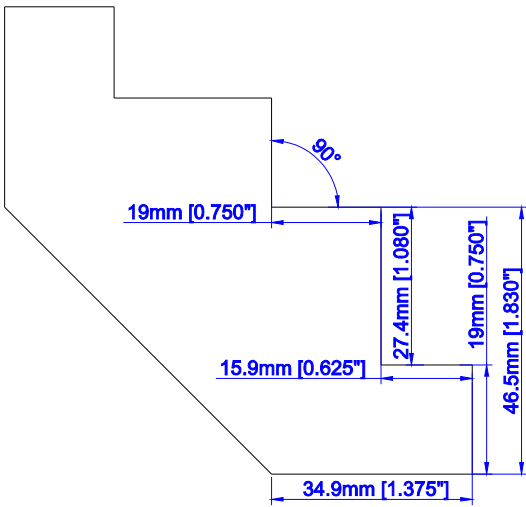
1.5" Sill Plate with 5/8"  
Light Block (Deco)



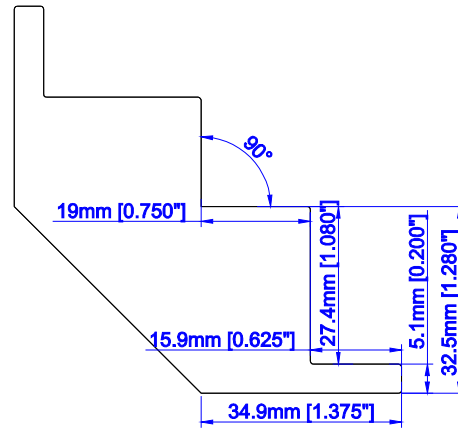
1.5" Sill Plate with 3/8"  
Light Block (Deco)

\*Surcharge applies. Please see Options and Surcharges page for details.

# Frame Styles

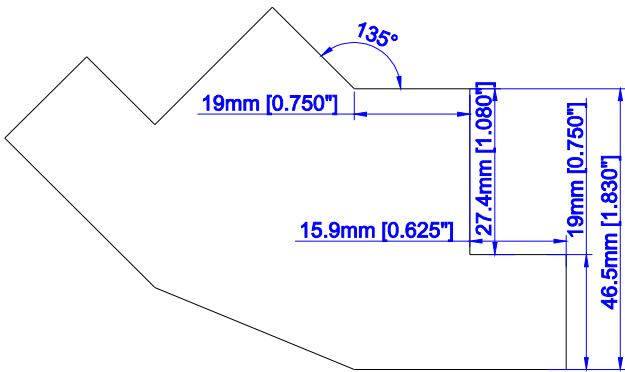


**Corner Post W/ 3/4"  
Light Block (L/Z/HS)**

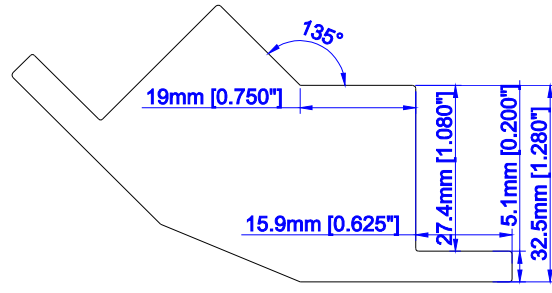


**Corner Post W/ 1/4"  
Light Block (Deco)**

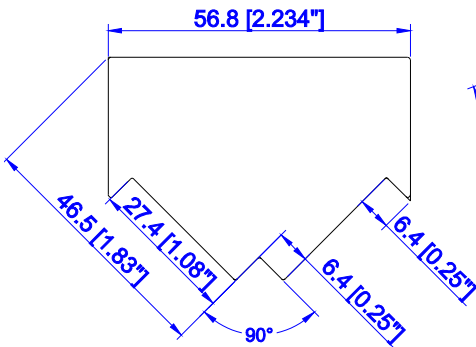
\*Notch out corner post required if ordering Z Frame with solid drywall corner.



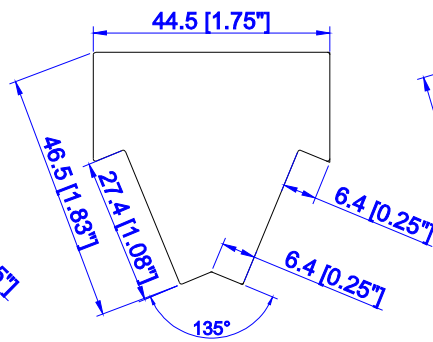
**Bay Post W/ 3/4"  
Light Block (L/Z/HS)**



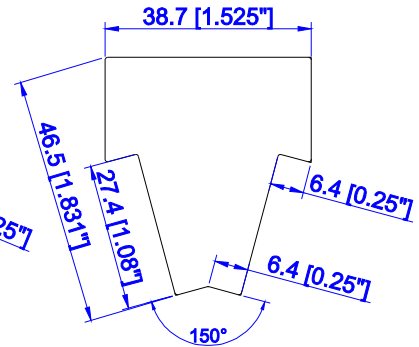
**Bay Post W/ 1/4"  
Light Block (Deco)**



**Slim Fit Corner Post for  
90 Degree (L/Z/HS)**



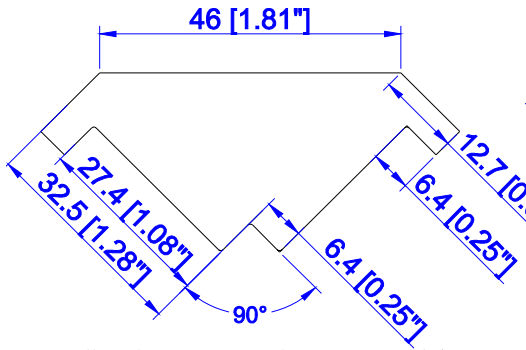
**Slim Fit Bay Post for  
135 Degree (L/Z/HS)**



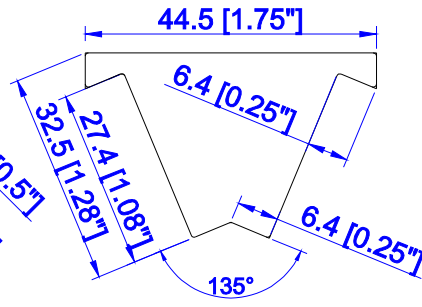
**Slim Fit Bay Post for  
150 Degree (L/Z/HS)**

\*Surcharge applies. Please see Options and Surcharges page for details.

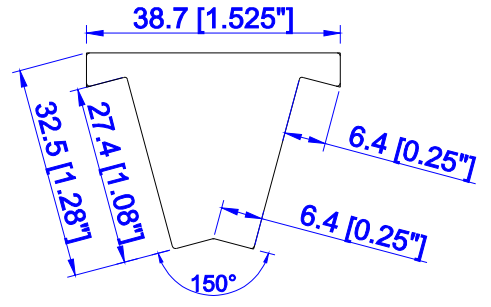
## Frame Styles



Slim Fit Corner Post for 90 Degree (D)



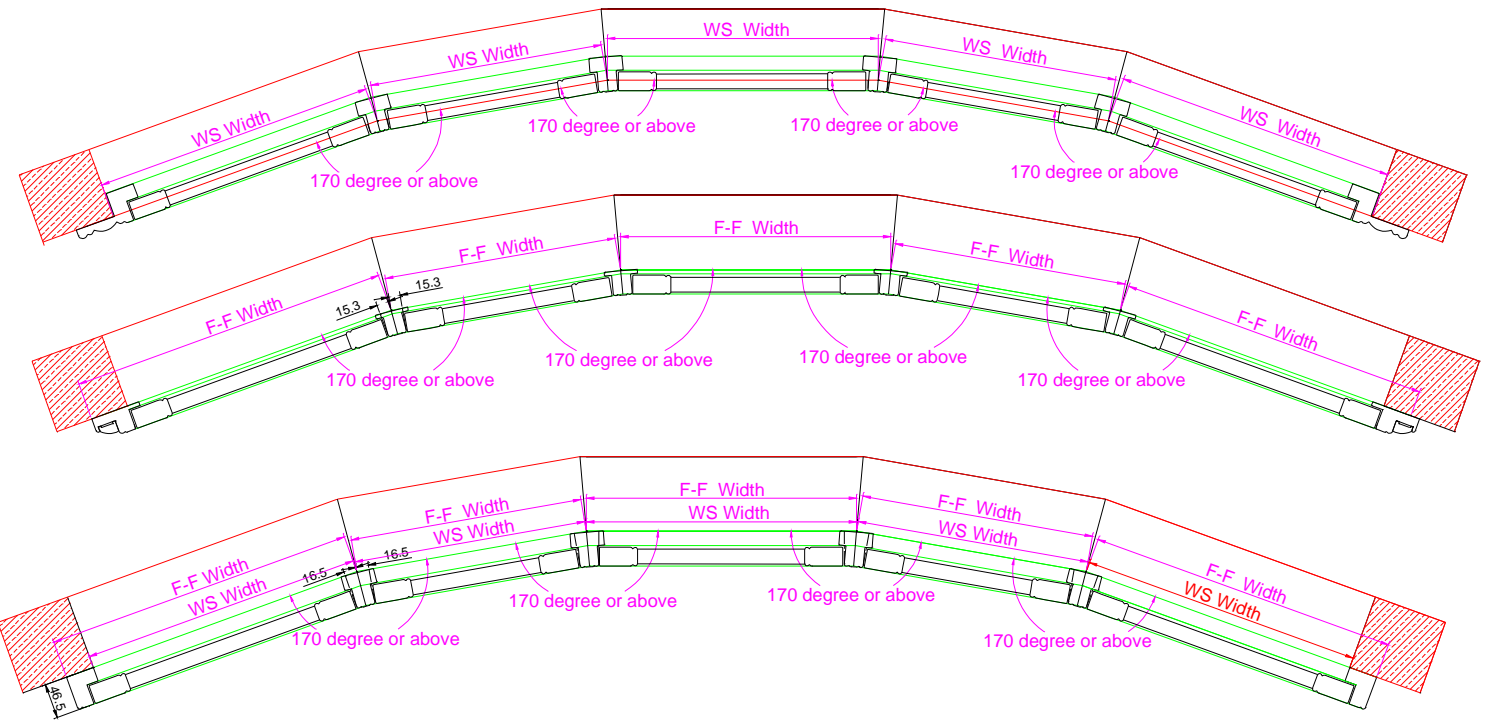
Slim Fit Bay Post for 135 Degree (D)



Slim Fit Bay Post for 150 Degree (D)

**For bay window at 170 degree or above,**

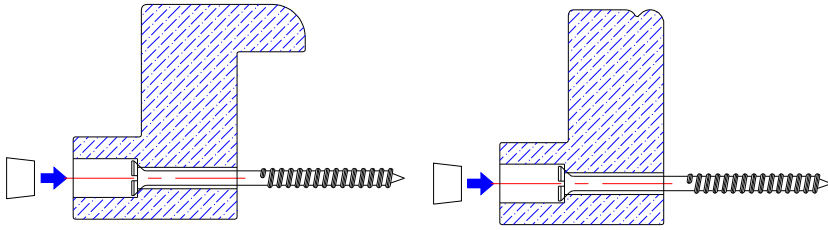
- 1" T Post with 3/8" light block will be used as Bay post;
- For Hang Strip (Behind Panel), bay post will be used.



\*Surcharge applies. Please see Options and Surcharges page for details.

## Frame Styles

Pre-drill L Frames (Inside Mount Only) or Z frames:

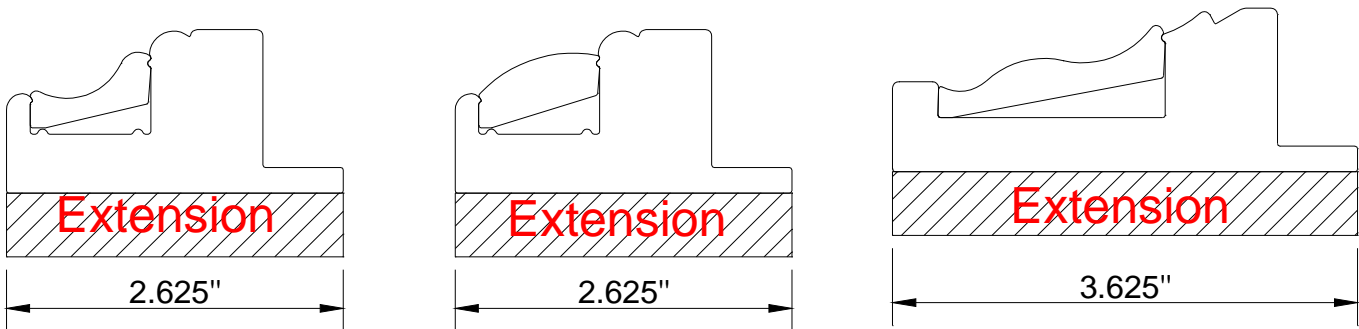


Note: When the extension thickness of the frame & T post is more than 2", the extension will not be attached with the frame and T post.

Also available

- Custom width\* up to 7½ for T Posts (Made of Wood)
- Custom angle bay posts\* (Made of Wood)

### Extension for Deco Frame\* (Default to have full extension):



2"Classic Deco Frame with extension    2"Camber Deco Frame with extension

3"Ridge Deco Frame with extension

Note: When the extension thickness of the frame & T post is more than 2", the extension will not be attached with the frame and T post.

\*Surcharge applies. Please see Options and Surcharges page for details.